

## Engineering Specification

Job Name \_\_\_\_\_

Contractor \_\_\_\_\_

Job Location \_\_\_\_\_

Approval \_\_\_\_\_

Engineer \_\_\_\_\_

Contractor's P.O. No. \_\_\_\_\_

Approval \_\_\_\_\_

Representative \_\_\_\_\_

# CO5

## General Purpose Floor Cleanout

### Specification

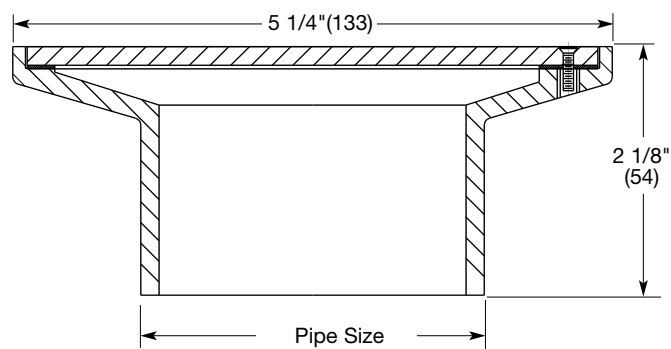
Watts Light Commercial CO5 PVC, ABS, or cast iron general purpose floor cleanout with secured ductile iron or nickel bronze gasketed cover.



Call customer service if you need assistance with technical details.

PIPE SIZING	
SUFFIX	DESCRIPTION
-2PVC	2" PVC
-2 ABS	2" ABS
-2NH	2" No Hub
-3PVC	3" PVC
-3ABS	3" ABS
-3NH	3" No Hub
-4PVC	4" PVC
-4ABS	4" ABS
-4NH	4" No Hub

OPTIONS	
SUFFIX	DESCRIPTION
-NB	Nickel Bronze Grate
-VP	Vandal Proof Screws



### NOTICE

The information contained herein is not intended to replace the full product installation and safety information available or the experience of a trained product installer. You are required to thoroughly read all installation instructions and product safety information before beginning the installation of this product.

Watts product specifications in U.S. customary units and metric are approximate and are provided for reference only. For precise measurements, please contact Watts Technical Service. Watts reserves the right to change or modify product design, construction, specifications, or materials without prior notice and without incurring any obligation to make such changes and modifications on Watts products previously or subsequently sold.



**USA:** T: (800) 338-2581 • Watts.com

**Canada:** T: (888) 208-8927 • Watts.ca

**Latin America:** T: (52) 55-4122-0138 • Watts.com

ES-WDLC-CO5 2613

© 2026 Watts