

Engineering Specification

Job Name _____

Contractor _____

Job Location _____

Approval _____

Engineer _____

Contractor's P.O. No. _____

Approval _____

Representative _____

Tag _____

FD-1100-A-LR

Floor Drain with Ligature

Resistant Round Strainer

Specification

Watts FD-1100-A-LR with epoxy coated cast iron drain body and anchor flange with fabricated stainless steel ligature resistant strainer. No hub (standard) outlet and vandal proof screws standard.



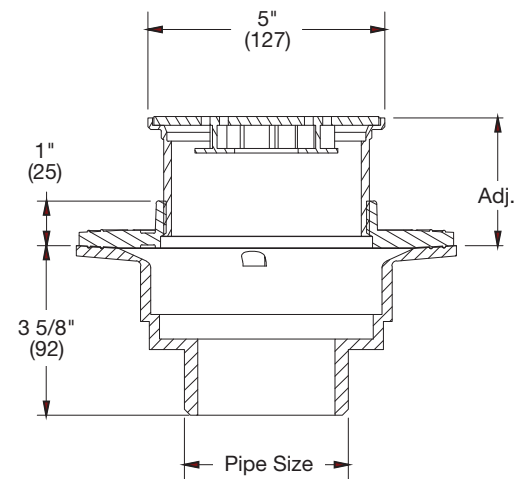
Pipe Sizing		
Suffix	Description	
2	2"(51) Pipe Size	<input type="checkbox"/>
3	3"(76) Pipe Size	<input type="checkbox"/>
4	4"(102) Pipe Size	<input type="checkbox"/>
6	6"(152) Pipe Size (NH Only)	<input type="checkbox"/>

Chart B		
Pipe Size	Std. No	P
	Hub	Push On
2"(51)	3-5/8"(92)	4-1/4"(108)
3"(76)	3-5/8"(92)	4-1/4"(108)
4"(102)	3-5/8"(92)	4-1/4"(108)
6"(152)	3-1/2"(89)	

Strainer Size		
Suffix	Description	
A5	5"(127) Dia. Stainless Steel	<input type="checkbox"/>
A6	6"(152) Dia. Stainless Steel	<input type="checkbox"/>
A8	8"(203) Dia. Stainless Steel	<input type="checkbox"/>

Outlet Type		
Suffix	Description	
NH	No Hub (MJ)	<input type="checkbox"/>
P	Push On	<input type="checkbox"/>

Options		
Suffix	Description	
-5	Sediment Bucket	<input type="checkbox"/>
-7	Trap Primer Tapping	<input type="checkbox"/>
-8	Backwater Valve (2, 3, 4" Only)	<input type="checkbox"/>
-13	Galvanized Body	<input type="checkbox"/>
-15	Strainer Extension (DD-50)	<input type="checkbox"/>
-28	Cast Stainless Steel Body	<input type="checkbox"/>
-S0	Side Outlet	<input type="checkbox"/>



NOTICE

The information contained herein is not intended to replace the full product installation and safety information available or the experience of a trained product installer. You are required to thoroughly read all installation instructions and product safety information before beginning the installation of this product.

Watts product specifications in U.S. customary units and metric are approximate and are provided for reference only. For precise measurements, please contact Watts Technical Service. Watts reserves the right to change or modify product design, construction, specifications, or materials without prior notice and without incurring any obligation to make such changes and modifications on Watts products previously or subsequently sold.



USA: T: (800) 338-2581 • Watts.com

Canada: T: (888) 208-8927 • Watts.ca

Latin America: T: (52) 55-4122-0138 • Watts.com

ES-WD-FD-1100-A-LR 2244

© 2022 Watts