

Engineering Specification

Job Name _____

Contractor _____

Job Location _____

Approval _____

Engineer _____

Contractor's P.O. No. _____

Approval _____

Representative _____

Tag _____

FD6

Heavy Duty Cast Iron Floor Drain

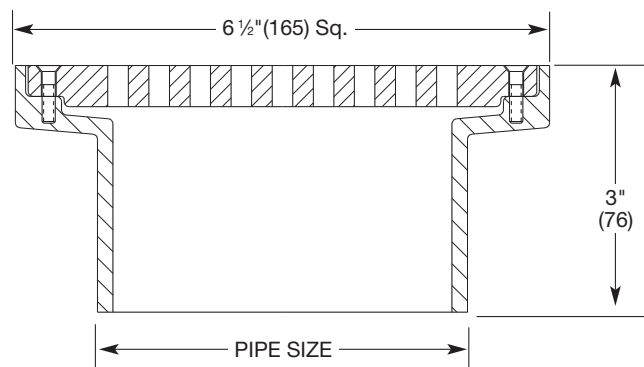
Specifications

Watts Light Commercial FD6 cast iron heavy duty floor drain with secured grate.



| Pipe Sizing | | |
|-------------|----------------|--------------------------|
| Suffix | Description | |
| -2NH | 2"(51) No Hub | <input type="checkbox"/> |
| -3NH | 3"(76) No Hub | <input type="checkbox"/> |
| -4NH | 4"(102) No Hub | <input type="checkbox"/> |

| Options | | |
|---------|---------------------|--------------------------|
| Suffix | Description | |
| -VP | Vandal Proof Screws | <input type="checkbox"/> |



NOTICE

The information contained herein is not intended to replace the full product installation and safety information available or the experience of a trained product installer. You are required to thoroughly read all installation instructions and product safety information before beginning the installation of this product.

Watts product specifications in U.S. customary units and metric are approximate and are provided for reference only. For precise measurements, please contact Watts Technical Service. Watts reserves the right to change or modify product design, construction, specifications, or materials without prior notice and without incurring any obligation to make such changes and modifications on Watts products previously or subsequently sold.



USA: T: (800) 338-2581 • F: (828) 248-3929 • Watts.com
Canada: T: (888) 208-8927 • F: (905) 481-2316 • Watts.ca
Latin America: T: (52) 55-4122-0138 • Watts.com