

# Engineering Specification

Job Name \_\_\_\_\_  
 Orion Representative \_\_\_\_\_  
 Quantity Required \_\_\_\_\_

Contractor Signature \_\_\_\_\_  
 Approval Date \_\_\_\_\_  
 Contractor's P.O. No. \_\_\_\_\_

## FD-1PR Floor Drain with Grate, Plug and Trap Primer Connection

### Specification

Orion FD-1PR corrosion resistant floor drain manufactured from fire retardant polypropylene material conforming to ASTM D4101. 1/2" trap primer connection in lower body. Grate (load rated to 10,000 lbs.), plug, and cover manufactured from fiber-filled polypropylene for strength and durability.

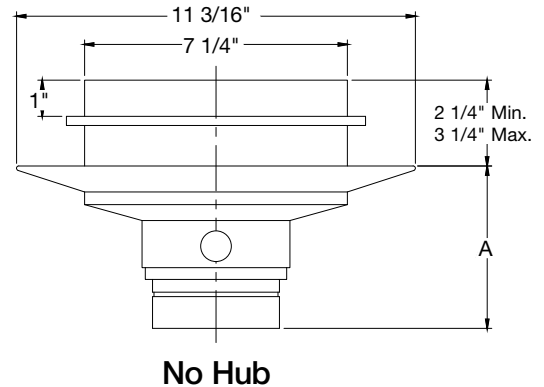
*Note:* Funnel replaces plug in FD-1PR grate.



### No Hub Connection

FRPP	Size (in.)	A
710154	2	4.40
710255	3	4.61
710359	4	4.66
710444	6	3.58

EDP	Options
808098	Flashing Clamp
808096	Funnel 4"x 9"
808097	Sediment Bucket
808099	Solid Covers
902145	Vandal Proof



### NOTICE

The information contained herein is not intended to replace the full product installation and safety information available or the experience of a trained product installer. You are required to thoroughly read all installation instructions and product safety information before beginning the installation of this product.

Orion product specifications in U.S. customary units and metric are approximate and are provided for reference only. For precise measurements, please contact Orion Technical Service. Orion reserves the right to change or modify product design, construction, specifications, or materials without prior notice and without incurring any obligation to make such changes and modifications on Orion products previously or subsequently sold.



USA: T: (800) 334-6259 • OrionFittings.com  
 Canada: T: (888) 208-8927 • OrionFittings.ca  
 Latin America: T: (52) 55-4122-0138 • OrionFittings.com

**A WATTS Brand**