

# Series 770, 770DCDA

## Double Check Valve Assemblies Double Check Detector Assemblies

Sizes 4" – 8"

### Repair Kits 770

When ordering specify Ordering Code, Kit No., and Valve Size.

ORDERING CODE	KIT NO.	SIZE
---------------	---------	------

#### Check Repair Kits

LEAD FREE	0887070	RK 770 CK4	4"
	0887072	RK 770 CK4	8"

Kit consists of: spring assembly and cover O-ring.

#### Check Rubber Parts

LEAD FREE	0887091	RK 770 RC4	4"
	0887092	RK 770 RC4	6"
	0887093	RK 770 RC4	8"

Kit consists of: cover O-ring; bolt O-ring; disc - for one check.

#### Complete Repair Kits

LEAD FREE	0887079	RK 770 T	4"
	0887081	RK 770 T	8"

Kit consists of: 2 cover O-rings; 2 bolts O-ring; 2 disc; 2 spring assemblies - for both checks.

#### Seat Kits

0887085	RK 770 S	4"
---------	----------	----

Kit consists of: seat; seat O-ring for one check.

### Repair Kits 770DCDA

When ordering specify Ordering Code, Kit No., and Valve Size.

ORDERING CODE	KIT NO.	SIZE
---------------	---------	------

#### Check Repair Kits

LEAD FREE	0887073	RK 770DCDA CK1	4"
	0887075	RK 770DCDA CK1	8"
	0887076	RK 770DCDA CK2	4"
	0887078	RK 770DCDA CK2	8"

Kit consists of: spring assembly and cover O-ring.

#### Check Rubber Parts

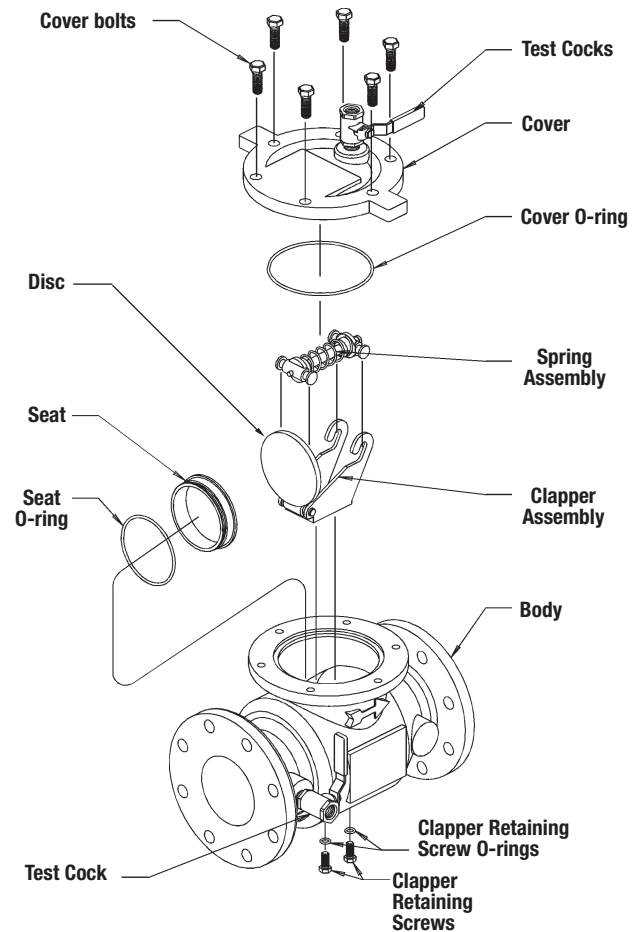
LEAD FREE	0887082	RK 770DCDA RC4	4"
	0887083	RK 770DCDA RC4	6"
	0887084	RK 770DCDA RC4	8"

Kit consists of: cover O-ring; bolt O-ring; disc - for one check.

#### Complete Repair Kit

LEAD FREE	0887088	RK 770DCDA T	4"
	0887090	RK 770DCDA T	8"

Kit consists of: 2 cover O-ring; 2 bolts O-ring; 2 disc; 2 spring assemblies - for both checks.



\*The wetted surface of this product contacted by consumable water contains less than 0.25% of lead by weight.