

# Boiler Insight. Amir Offsite.



## Complete Remote Steam Boiler Control with the Smart Steam Control 289

Managing multiple steam boilers across multiple properties can be stressful and expensive, especially when something goes wrong. Stop losing precious time and money to unnecessary service calls and site visits.

The tekmar Smart Steam Control 289 can be retrofit to any brand of boiler, old and new, and features real time remote mirrored controls through the Watts® OnSite app, so you can skip the maintenance trip and make adjustments across multiple properties from your phone or desktop.



Works with the Watts® OnSite  
Mobile and Web App



[tekmarControls.com](http://tekmarControls.com)

**tekmar**<sup>®</sup>  
A WATTS Brand

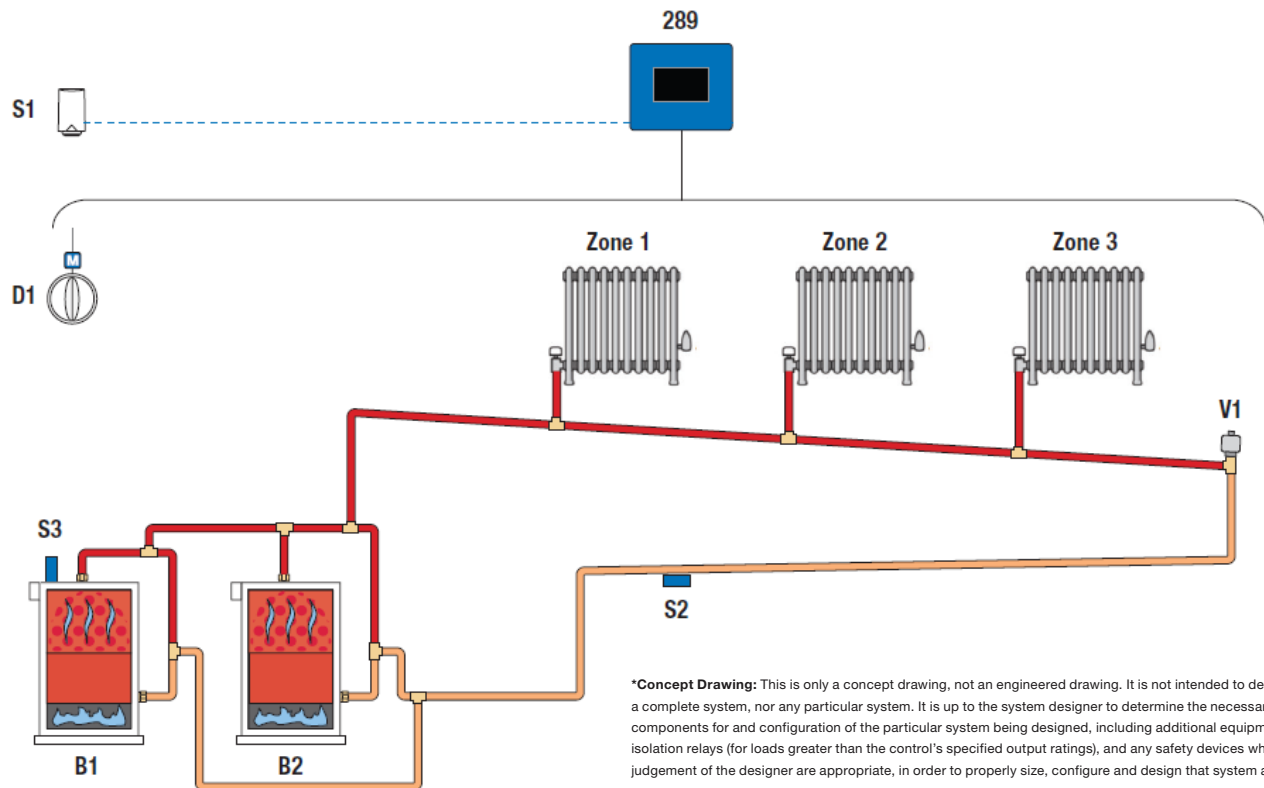


# Skip The Maintenance Trip with Real-Time Alerts & Adjustments

## Key Benefits:

- Real time remote steam boiler access with mirrored controls.
- Up to 20% energy savings with Outdoor Reset, Indoor Temperature Feedback & Warm Weather Shut Down technology.
- Save on maintenance, operational expenses, labor costs, and repairs.
- Single solution for retrofits and new construction.
- Instant system alerts through Watts® OnSite via text, email, or push notification.
- Works with any boiler, regardless of brand or age.
- 5" color touchscreen with setup wizard for easy installation

## Sample Mechanical Diagram\*



**\*Concept Drawing:** This is only a concept drawing, not an engineered drawing. It is not intended to describe a complete system, nor any particular system. It is up to the system designer to determine the necessary components for and configuration of the particular system being designed, including additional equipment, isolation relays (for loads greater than the control's specified output ratings), and any safety devices which in the judgement of the designer are appropriate, in order to properly size, configure and design that system and to ensure compliance with building and safety code requirements.

**tekmar**<sup>®</sup>

A **WATTS** Brand

Scan to  
learn more

