

Installation, Operation and Maintenance

Plate Strainers

⚠ WARNING



Read this Manual **BEFORE** using this equipment.
Failure to read and follow all safety and use information can result in death, serious personal injury, property damage, or damage to the equipment.
Keep this Manual for future reference.

NOTICE

Before installing the plate strainer, be sure its pressure rating is correct for the system. Installation of the plate strainer with cover up is recommended. When mounting the strainer, be sure the flanges of the connecting piping are square with the pipe so that no undue stresses are put on the strainer or piping when tightening flange bolts. Tighten in sequence, crossing to opposites.

Installation Instructions

The strainer must be installed with the flow arrow in the direction of flow for the strainer to function properly. To ensure trouble-free operation, a differential pressure gauge may be installed across the inlet and outlet to indicate pressure loss due to clogging and should be used as a guide to determine when cleaning is required. During normal flow conditions, when the differential pressure across the strainer reaches 5psi, the screen should be cleaned. If the strainer is equipped with a blowdown valve on the cleanout port, open and flush out until any sediment is removed. If the strainer is not fitted for blowdown cleaning, the strainer must be isolated and pressure bled down before removing the cover and screen. After cleaning the screen, reinstall the screen in the strainer in the same position as before and tighten cover or cap. Apply a maximum of 50 ft-lbf torque to all cover bolts. Replace the O-ring, if necessary. Keeping a spare, clean screen will minimize shut down time. Max differential pressure across the screen is 15psi.

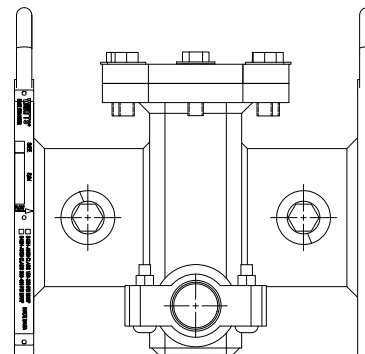
⚠ WARNING

Individuals performing removal and disassembly should be provided with suitable protection from possibly hazardous liquids.

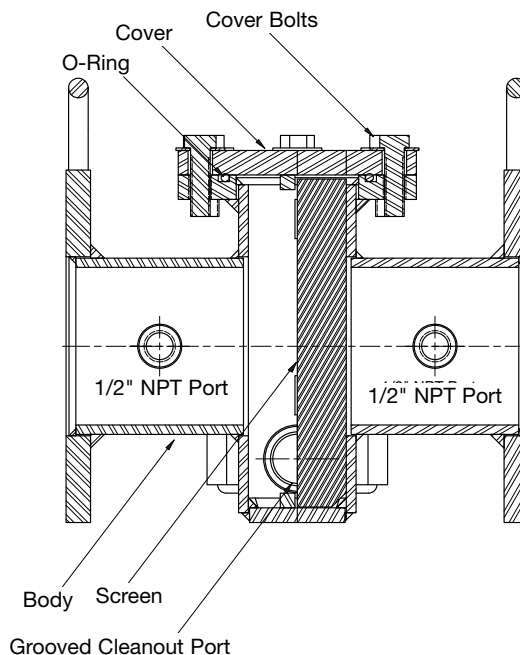
Spare Parts

To order replacement screens or gaskets, which are the only items normally required, you should specify the following:

- Size and model number of strainer or casting number as it appears on the body of the strainer.
- Specify the type of service. For example: water, steam, gas, oil, air. The working pressure and temperature of the system and the particle size to be strained out should also be specified.



Installation is recommended cover up for ease of maintenance.



Limited Warranty: Watts (the "Company") warrants each product to be free from defects in material and workmanship under normal usage for a period of one year from the date of original shipment. In the event of such defects within the warranty period, the Company will, at its option, replace or recondition the product without charge.

THE WARRANTY SET FORTH HEREIN IS GIVEN EXPRESSLY AND IS THE ONLY WARRANTY GIVEN BY THE COMPANY WITH RESPECT TO THE PRODUCT. THE COMPANY MAKES NO OTHER WARRANTIES, EXPRESS OR IMPLIED. THE COMPANY HEREBY SPECIFICALLY DISCLAIMS ALL OTHER WARRANTIES, EXPRESS OR IMPLIED, INCLUDING BUT NOT LIMITED TO THE IMPLIED WARRANTIES OF MERCHANTABILITY AND FITNESS FOR A PARTICULAR PURPOSE.

The remedy described in the first paragraph of this warranty shall constitute the sole and exclusive remedy for breach of warranty, and the Company shall not be responsible for any incidental, special or consequential damages, including without limitation, lost profits or the cost of repairing or replacing other property which is damaged if this product does not work properly, other costs resulting from labor charges, delays, vandalism, negligence, fouling caused by foreign material, damage from adverse water conditions, chemical, or any other circumstances over which the Company has no control. This warranty shall be invalidated by any abuse, misuse, misapplication, improper installation or improper maintenance or alteration of the product.

Some States do not allow limitations on how long an implied warranty lasts, and some States do not allow the exclusion or limitation of incidental or consequential damages. Therefore the above limitations may not apply to you. This Limited Warranty gives you specific legal rights, and you may have other rights that vary from State to State. You should consult applicable state laws to determine your rights. **SO FAR AS IS CONSISTENT WITH APPLICABLE STATE LAW, ANY IMPLIED WARRANTIES THAT MAY NOT BE DISCLAIMED, INCLUDING THE IMPLIED WARRANTIES OF MERCHANTABILITY AND FITNESS FOR A PARTICULAR PURPOSE, ARE LIMITED IN DURATION TO ONE YEAR FROM THE DATE OF ORIGINAL SHIPMENT.**



USA: T: (978) 689-6066 • Watts.com

Canada: T: (888) 208-8927 • Watts.ca

Latin America: T: (52) 55-4122-0138 • Watts.com

