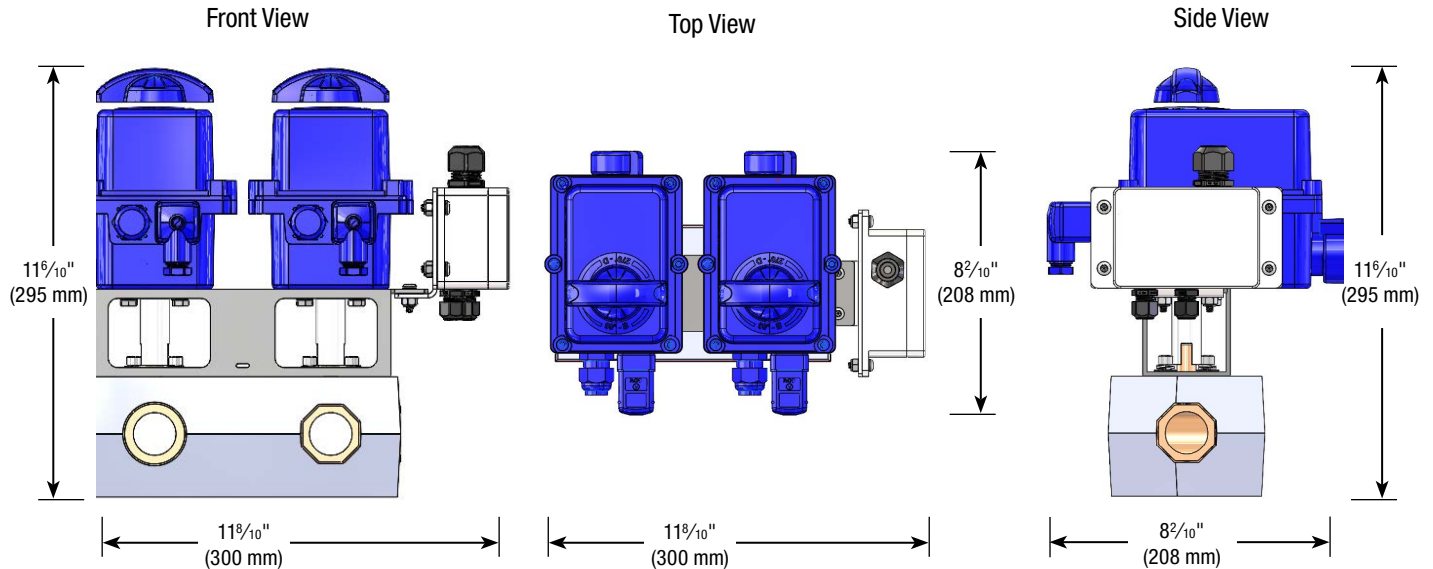


Submittal

Job _____ Designer _____ Contact _____

6-way Diverting Valve Panel 731

The 6-way Diverting Valve Panel 731 operates a pair of 3-way valves with actuators to divert water between a hot and a chilled water tank in a 4-pipe heat pump system. The assembly has 1 inch female NPT threads and comes pre-insulated to prevent sweating. The panel includes a relay to sync the valves in phase for efficient operation, which can be reversed if the piping direction was installed inversely.



Features

- Divert between hot & chilled tanks in 4-pipe heat pump system
- Reversible logic if piping inversed in field
- Pre-insulated valves
- Normally Operation - Hot Tank
- Cooling call

Specifications

6-way Diverting Valve Panel 731

Call customer support if you need assistance with technical details.

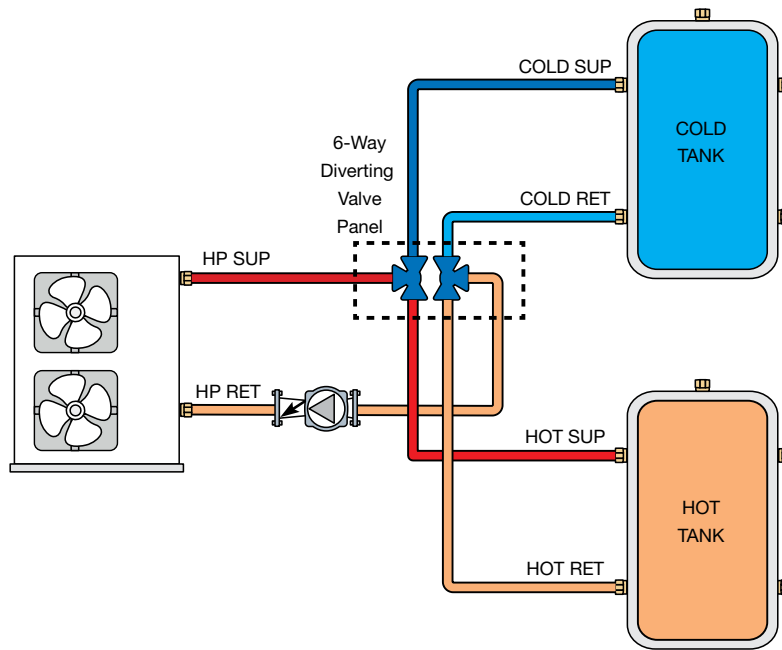
Literature	IOM-T-73X, ES-T-731
Packaged weight	14.4 lbs (6.52 kg)
Dimensions	$11\frac{9}{10}$ " H x $11\frac{8}{10}$ " W x $8\frac{2}{10}$ " D (295 x 300 x 208 mm)
Enclosure	ABS plastic, NEMA type 1
Fitting	1" Female NPT
Ambient conditions	Indoor use only, 32 to 122°F (0 to 50°C), < 90% RH non-condensing
Power supply	24V (ac) \pm 10%, 60 Hz
Power Consumption	30VA
Control Signal Input	24V (ac), floating action
Motor Speed	11s (1/4 turn)
Rated Torque (Actuator)	7.3 ft-lbs (10 Nm)
CV (Valve)	21
Sound Level	61 dB
Warranty	Limited 3 Year (See IOM for full warranty)

tekmar product specifications in U.S. customary units and metric are approximate and are provided for reference only. For precise measurements, please contact tekmar Technical Service. Watts reserves the right to change or modify product design, construction, specifications, or materials without prior notice and without incurring any obligation to make such changes and modifications on tekmar products previously or subsequently sold.

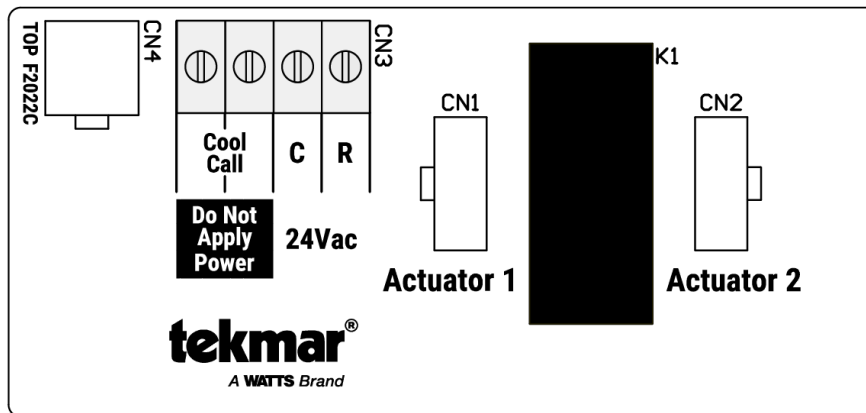
tekmar[®]
A WATTS Brand

Sample Application Drawing

Sample Mechanical diagram



Sample Electrical diagram



NOTICE

The information contained herein is not intended to replace the full product installation and safety information available or the experience of a trained product installer. You are required to thoroughly read all installation instructions and product safety information before beginning the installation of this product.



A WATTS Brand

Tel: 1-800-438-3903 • F: (250) 984-0815
tekmarControls.com

