

Engineering Specification

Job Name _____

Contractor Signature _____

Orion Representative _____

Approval Date _____

Quantity Required _____

Contractor's P.O. No. _____

ARLS-CDB

Double Bowl 18" x 15" x 10" Sink With Offset 1-1/2" Outlets

Specification

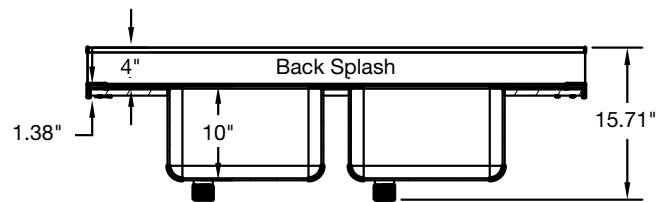
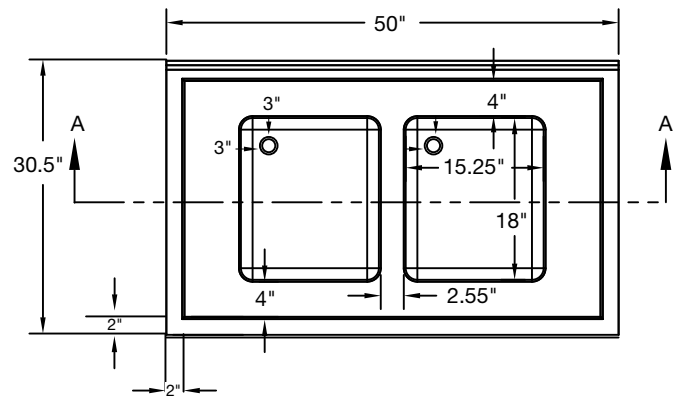
Orion Polyolefin ARLS-CDB Lab Sink is manufactured from virgin high-density polyethylene conforming to ASTM F1412. It features an integral threaded outlet positioned in the rear corner of the sink.

Features

- Integral offset waste outlet
- Impact resistant & glassware friendly
- Dry ice tolerable
- All dimensions are in inches with a tolerance of ± 0.125
- Weight: 824 oz

Call customer service if you need assistance with technical details.

Qty.	Order Code	Description
	737157	ARLS-CDB Lab Sink



NOTICE

The information contained herein is not intended to replace the full product installation and safety information available or the experience of a trained product installer. You are required to thoroughly read all installation instructions and product safety information before beginning the installation of this product.

Orion product specifications in U.S. customary units and metric are approximate and are provided for reference only. For precise measurements, please contact Orion Technical Service. Orion reserves the right to change or modify product design, construction, specifications, or materials without prior notice and without incurring any obligation to make such changes and modifications on Orion products previously or subsequently sold.



A WATTS Brand

USA: T: (800) 334-6259 • OrionFittings.com

Canada: T: (888) 208-8927 • OrionFittings.ca

Latin America: T: (52) 55-4122-0138 • OrionFittings.com

ES-OR-ARLS-CDB 2538