

## Engineering Specification

Job Name \_\_\_\_\_

Contractor Signature \_\_\_\_\_

Orion Representative \_\_\_\_\_

Approval Date \_\_\_\_\_

Quantity Required \_\_\_\_\_

Contractor's P.O. No. \_\_\_\_\_

# CS1

## Cup Sink 3" x 6" x 5" Sink With Vertical Outlet

### Specification

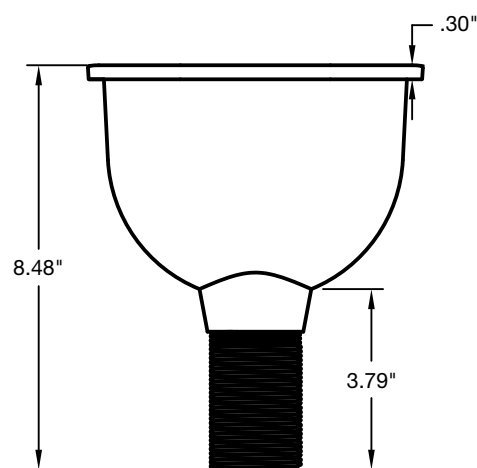
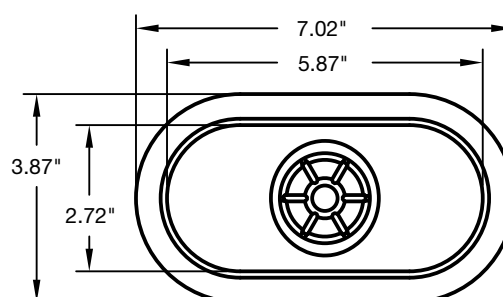
Orion Polyolefin CS1 Cup Sink is manufactured from virgin high-density polyethylene conforming to ASTM F1412. It features a 1-1/2" integral threaded vertical outlet, positioned in the center of the sink, as well as a strainer and stopper.

### Features

- 1-1/2" integral threaded outlet
- Strainer & stopper
- Impact resistant
- Dry ice tolerable
- All dimensions are in inches with a tolerance of  $\pm 0.125$
- Weight: 12.64 oz

Call customer service if you need assistance with technical details.

Qty.	Order Code	Description
	737300	CS1 Cup Sink



### NOTICE

The information contained herein is not intended to replace the full product installation and safety information available or the experience of a trained product installer. You are required to thoroughly read all installation instructions and product safety information before beginning the installation of this product.

Orion product specifications in U.S. customary units and metric are approximate and are provided for reference only. For precise measurements, please contact Orion Technical Service. Orion reserves the right to change or modify product design, construction, specifications, or materials without prior notice and without incurring any obligation to make such changes and modifications on Orion products previously or subsequently sold.

# ORION<sup>®</sup>

A WATTS Brand

USA: T: (800) 334-6259 • OrionFittings.com

Canada: T: (888) 208-8927 • OrionFittings.ca

Latin America: T: (52) 55-4122-0138 • OrionFittings.com

ES-OR-CS1 2538

© 2025 Watts

