

# Engineering Specification

Job Name \_\_\_\_\_

Contractor Signature \_\_\_\_\_

Orion Representative \_\_\_\_\_

Approval Date \_\_\_\_\_

Quantity Required \_\_\_\_\_

Contractor's P.O. No. \_\_\_\_\_

## Standing Waste Assembly

### Open & Closed Standing Waste Assemblies

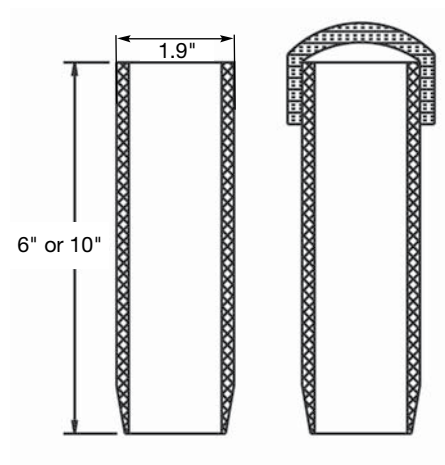
#### Specification

Orion Polyolefin Standing Waste Assembly is manufactured from polyolefin resin conforming to ASTM F1412-92. For corrosion resistance and material content. Parts will contain no PVC or solvents used for assembly.



Call customer service if you need assistance with technical details.

Qty.	Part No.	Description
	737517	6" Open Top Standing Waste Assembly
	737519	10" Open Top Standing Waste Assembly
	737516	6" Closed Top Standing Waste Assembly
	737518	10" Closed Top Standing Waste Assembly



#### NOTICE

The information contained herein is not intended to replace the full product installation and safety information available or the experience of a trained product installer. You are required to thoroughly read all installation instructions and product safety information before beginning the installation of this product.

Orion product specifications in U.S. customary units and metric are approximate and are provided for reference only. For precise measurements, please contact Orion Technical Service. Orion reserves the right to change or modify product design, construction, specifications, or materials without prior notice and without incurring any obligation to make such changes and modifications on Orion products previously or subsequently sold.



**A WATTS Brand**

USA: T: (800) 334-6259 • OrionFittings.com

Canada: T: (888) 208-8927 • OrionFittings.ca

Latin America: T: (52) 55-4122-0138 • OrionFittings.com

ES-OR-Standing Waste Assembly 2548