

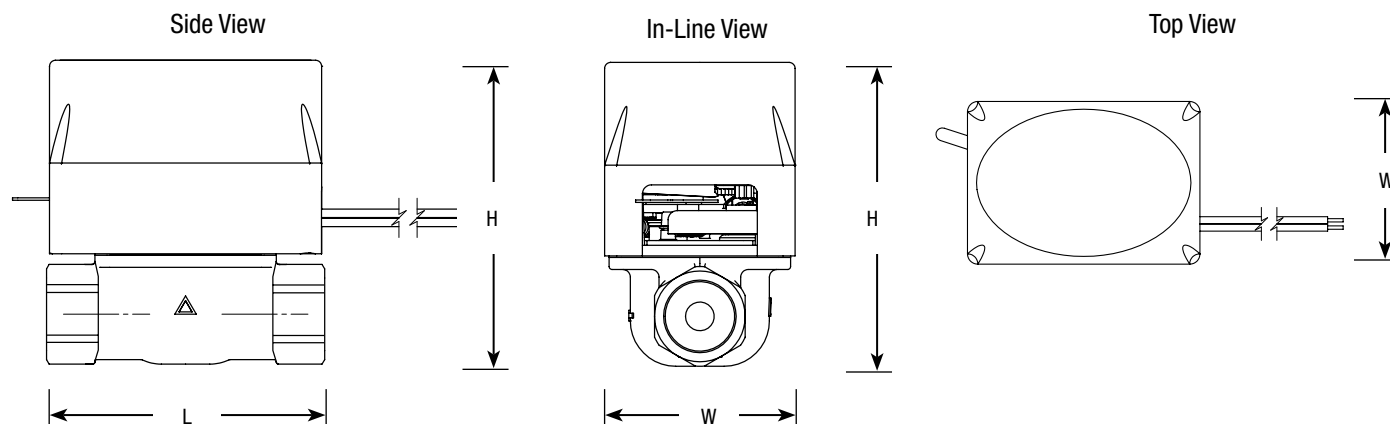
Submittal

Job _____ Designer _____ Contact _____

2-Way Zone Valves

Models: 700F, 701FT, 701S, 701PR, 702FT, 702S, 702PR, 703FT, 703S, 703PR

The tekmar 2-Way Zone Valve regulates flow into heating and cooling zones in a hydronic heating / cooling system. The valves are normally closed and are electro-mechanically actuated, with a connection to an end switch.



Features

- Electro-mechanically actuated
- Normally closed
- End switch

Specifications

Call customer support if you need assistance with technical details.

CHARACTERISTIC	VALUE
Literature	IOM-T-2ZV, ES-T-2ZV
Standards	UL C US Recognized Component
Rated Supply Voltage	24 V (ac)
Power Consumption	8 VA
End Switch Rating	3A, 24 V (ac)
Maximum Operating Pressure	145 psi (10 bar)
Water Temperature	41 to 230°F (5 to 110°C)
Operating Temperature Range	41 to 140°F (5 to 60°C)
Normal Opening Time	10 s
Normal Closing Time	4 s
Weight	2.4 lb (1.1 kg)
Wire Length	3 ft (0.93 m)
Valve Body	Brass
Valve Ball	EPDM peroxide
Actuator Cover	ABS plastic
Return Springs	Stainless Steel
Fluid Media	Water, Glycol (max. 50%)
Warranty	Limited 3 Year (see IOM for full warranty)

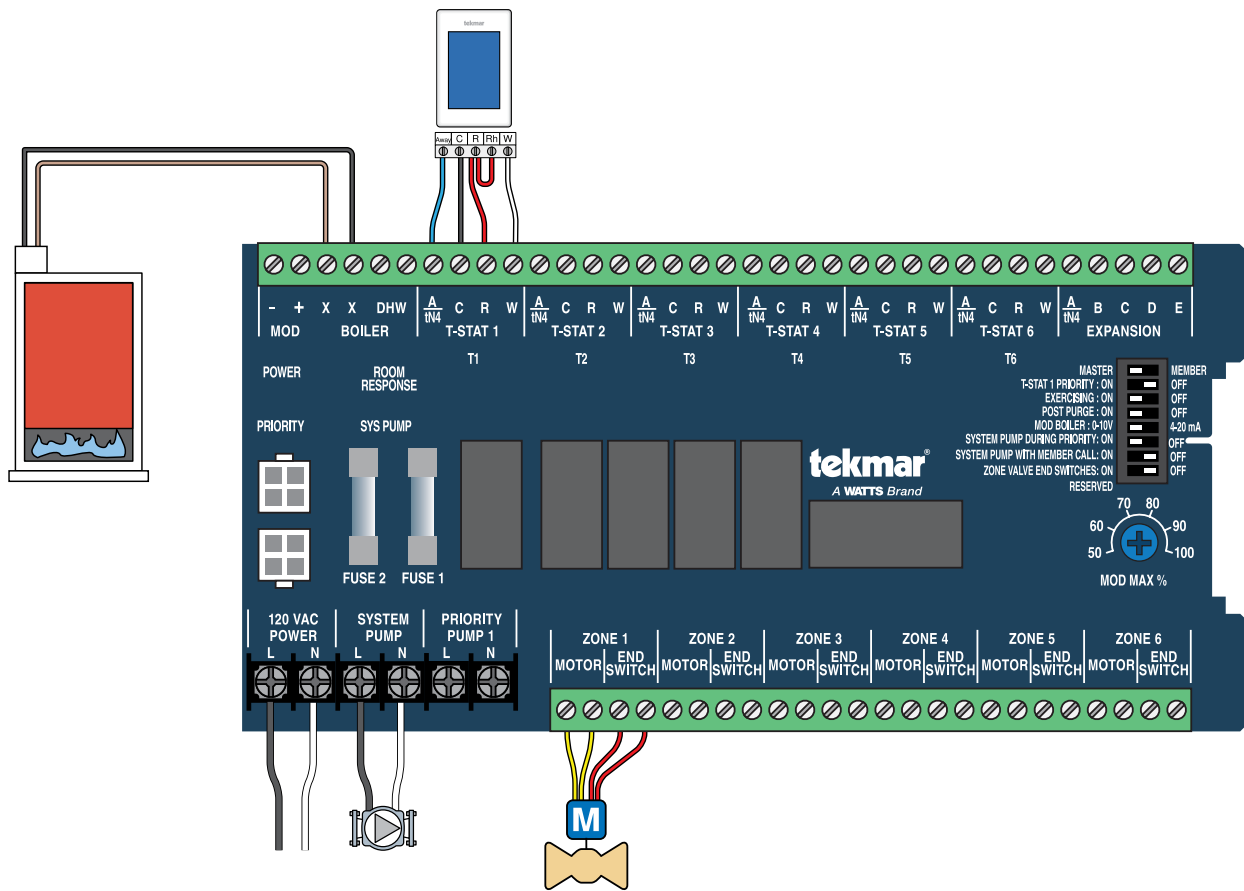
Notice: Not approved for potable water

tekmar product specifications in U.S. customary units and metric are approximate and are provided for reference only. For precise measurements, please contact tekmar Technical Service. Watts reserves the right to change or modify product design, construction, specifications, or materials without prior notice and without incurring any obligation to make such changes and modifications on tekmar products previously or subsequently sold.

tekmar[®]
A WATTS Brand

PART NUMBER	PIPE SIZE	CONNECTION	CV VALUE	MAX PRESSURE DIFFERENTIAL	DIMENSIONS
700F	3/8"	Flare	4	20 psi (1.4 bar)	4 5/8" L x 2 5/8" W x 4" H (118 x 63 x 101 mm)
701S	1/2"	Sweat	4	20 psi (1.4 bar)	4" L x 2 5/8" W x 4" H (101 x 63 x 101 mm)
701FT	1/2"	Female NPT	4	20 psi (1.4 bar)	4" L x 2 5/8" W x 4" H (101 x 63 x 101 mm)
701PR	1/2"	Press	4	20 psi (1.4 bar)	6 7/8" L x 2 5/8" W x 4" H (175 x 63 x 101 mm)
702S	3/4"	Sweat	4	20 psi (1.4 bar)	4" L x 2 5/8" W x 4" H (101 x 63 x 101 mm)
702FT	3/4"	Female NPT	4	20 psi (1.4 bar)	4" L x 2 5/8" W x 4" H (101 x 63 x 101 mm)
702PR	3/4"	Press	4	20 psi (1.4 bar)	7" L x 2 5/8" W x 4" H (178 x 63 x 101 mm)
703S	1"	Sweat	9	13psi (0.9bar)	4" L x 2 5/8" W x 4 1/16" H (101 x 63 x 103 mm)
703FT	1"	Female NPT	9	13psi (0.9bar)	4" L x 2 5/8" W x 4 1/16" H (101 x 63 x 103 mm)
703PR	1"	Press	9	13psi (0.9bar)	7 5/8" L x 2 5/8" W x 4 1/16" H (194 x 63 x 103 mm)

Sample Electrical drawing



NOTICE

The information contained herein is not intended to replace the full product installation and safety information available or the experience of a trained product installer. You are required to thoroughly read all installation instructions and product safety information before beginning the installation of this product.



A WATTS Brand

Tel: 1-800-438-3903 • F: (250) 984-0815

tekmarControls.com

