

Engineering Specification

Job Name _____

Contractor _____

Job Location _____

Approval _____

Engineer _____

Contractor's P.O. No. _____

Approval _____

Representative _____

Series W2000

Sanitary Wye Strainer with Tri Clamp Connections

1" - 4"

Watts W2000 sanitary wye strainers are designed to protect downstream equipment by removing debris from high purity and hygienic process streams. Constructed from corrosion resistant stainless steel with smooth, crevice free internal surfaces, they minimize contamination risk and support CIP and SIP processes. Optimized flow paths reduce pressure drop while maximizing debris capture and maintaining system efficiency.

Available with a range of mesh sizes and tri clamp connections, these strainers integrate easily into hygienic systems. Ideal for food and beverage, liquid cooling and other industrial connections. These wye strainers deliver reliable performance and simplified maintenance.

Features

- Hygienic design compliant with 3-A standards
- 32 Ra internal surface finish to reduce contamination risk
- Available as standard with 35 mesh lined screens, 100 mesh and 25 micron (500 mesh) available upon request

Standards and Specifications

- Designed and manufactured in accordance with HG/T 21637
- Inspected and tested in accordance with API 598
- End connections in accordance with 3-A standard



W2400

Call customer service if you need assistance with technical details.

PRESSURE/TEMPERATURE - NON-SHOCK					
MODEL	CONNECTION	SIZE	MATERIAL	PRESSURE	TEMPERATURE
W2400	Tri Clamp	1" - 4"	316L SS	145 psi (10 bar)	-4 - 275°F (-20 - 135°C)

NOTICE

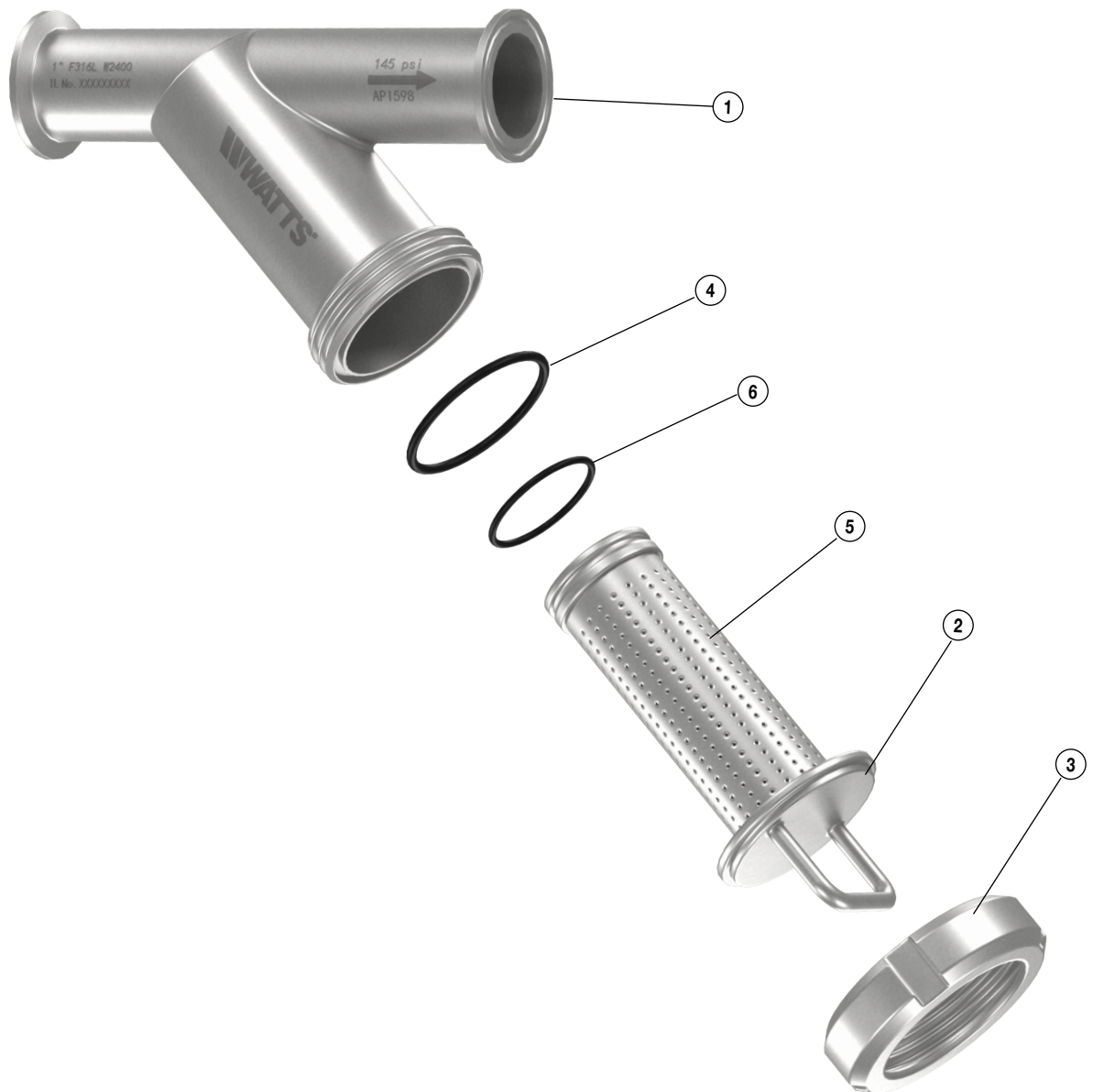
The information contained herein is not intended to replace the full product installation and safety information available or the experience of a trained product installer. You are required to thoroughly read all installation instructions and product safety information before beginning the installation of this product.

Watts product specifications in U.S. customary units and metric are approximate and are provided for reference only. For precise measurements, please contact Watts Technical Service. Watts reserves the right to change or modify product design, construction, specifications, or materials without prior notice and without incurring any obligation to make such changes and modifications on Watts products previously or subsequently sold.



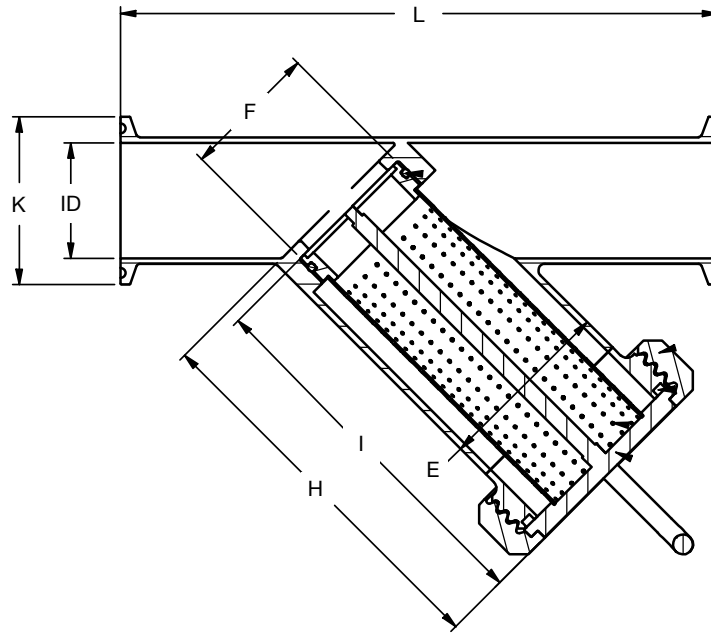
Materials

ITEM	NAME	MATERIAL
1	Strainer Body	316L Stainless Steel
2	Strainer Cover	316L Stainless Steel
3	Strainer Cover Nut	304 Stainless Steel
4	Cover Gasket	EPDM
5	Strainer Screen	316L Stainless Steel
6	Screen O-Ring	EPDM



* See Watts.com for available repair kits.

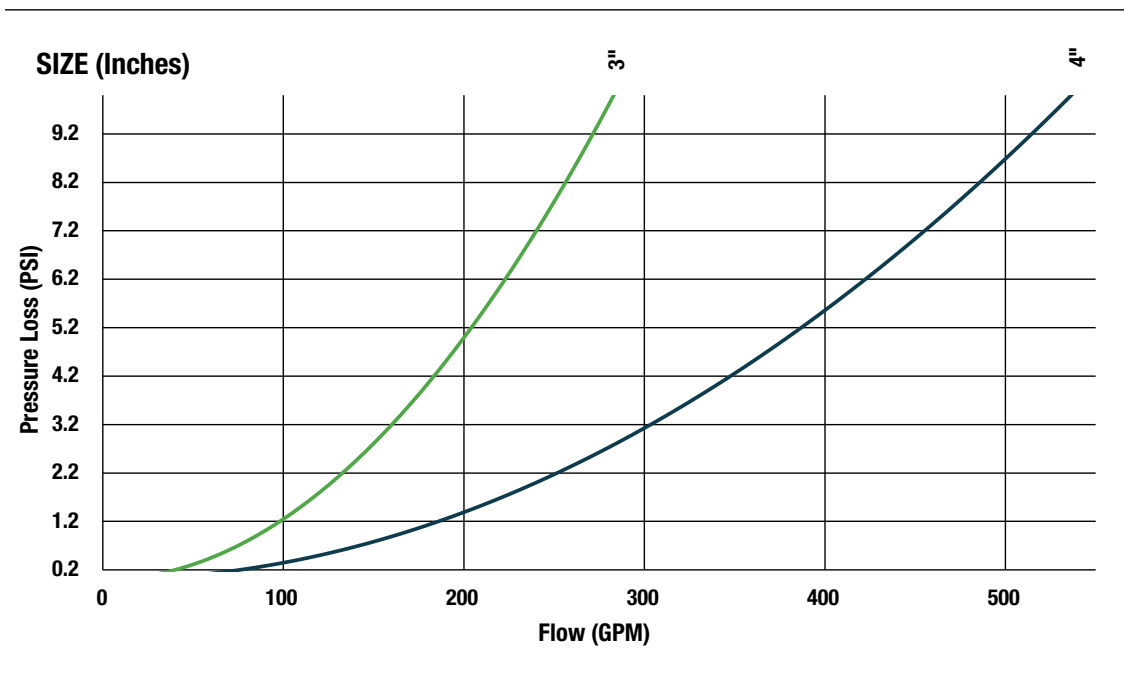
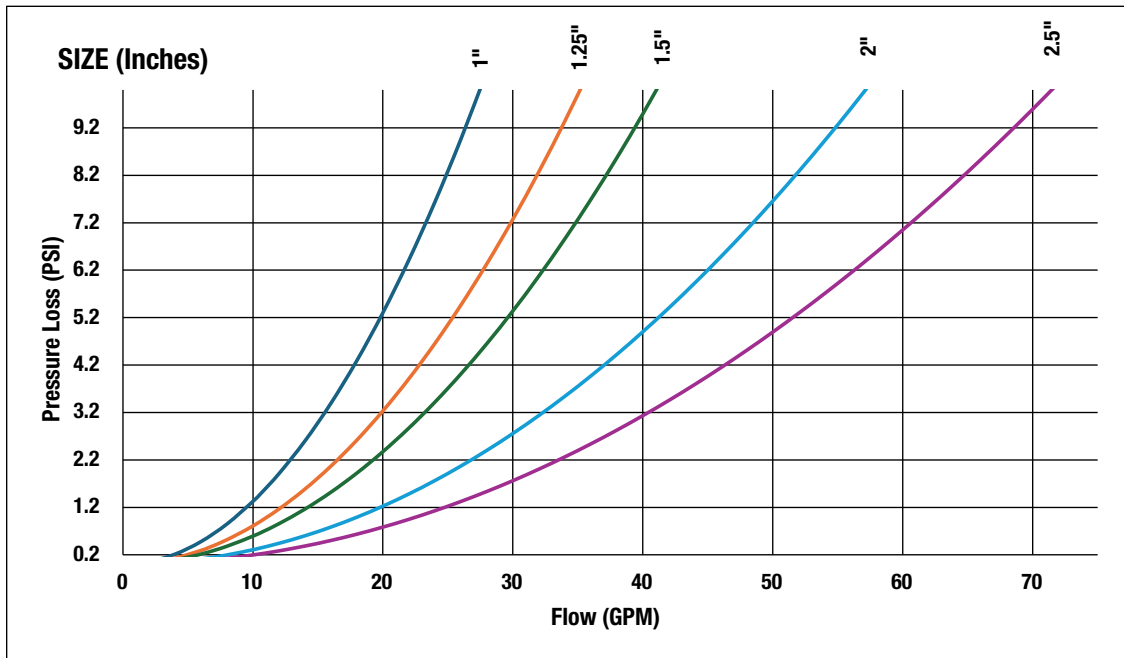
Dimensions



MODEL	SIZE	ID		K		H		I		E		L		WEIGHT	
	<i>in.</i>	<i>in.</i>	<i>mm</i>	<i>in.</i>	<i>mm</i>	<i>in.</i>	<i>mm</i>	<i>in.</i>	<i>mm</i>	<i>in.</i>	<i>mm</i>	<i>in.</i>	<i>mm</i>	<i>lbs.</i>	<i>kgs</i>
W2400	1"	7/8"	22	2"	51	4 ⁵ / ₁₆ "	110	3 ¹¹ / ₁₆ "	94	1 ³ / ₄ "	45	6 ¹³ / ₁₆ "	173	2.4	1.1
	1 ¹ / ₄ "	1 ¹ / ₈ "	29	2"	51	4 ⁵ / ₁₆ "	110	3 ³ / ₄ "	95	2"	51	7 ⁹ / ₁₆ "	183	2.6	1.2
	1 ¹ / ₂ "	1 ³ / ₈ "	35	2"	51	5 ¹ / ₈ "	130	4 ¹ / ₂ "	114	2 ¹ / ₂ "	64	8 ⁹ / ₁₆ "	218	2.9	1.3
	2"	1 ⁷ / ₈ "	48	2 ¹ / ₂ "	64	6 ¹ / ₁₆ "	154	5 ¹ / ₂ "	139	3"	76	9 ¹⁵ / ₁₆ "	253	8.2	3.7
	2 ¹ / ₂ "	2 ³ / ₈ "	60	3 ¹ / ₁₆ "	78	7 ³ / ₈ "	188	6 ³ / ₄ "	172	3 ¹ / ₂ "	89	11 ⁵ / ₁₆ "	288	9.9	4.5
	3"	2 ⁷ / ₈ "	73	3 ⁹ / ₁₆ "	91	8 ³ / ₁₆ "	208	7 ⁹ / ₁₆ "	192	4"	102	12 ¹¹ / ₁₆ "	323	12.8	5.8
	4"	3 ¹³ / ₁₆ "	97	4 ¹¹ / ₁₆ "	119	10 ⁵ / ₈ "	270	10 ¹ / ₁₆ "	255	5 ¹ / ₂ "	140	15 ⁷ / ₈ "	403	19.2	8.7

Flow and Pressure Drop

SIZE	Cv	Kv
1"	13	11
1 ¼"	11	10
1 ½"	13	11
2"	18	16
2 ½"	23	20
3"	90	78
4"	170	147



USA: T: (978) 689-6066 • Watts.com
 Canada: T: (888) 208-8927 • Watts.ca
 Latin America: T: (52) 55-4122-0138 • Watts.com

