

Engineering Specification

Job Name _____

Contractor _____

Job Location _____

Approval _____

Engineer _____

Contractor's P.O. No. _____

Approval _____

Representative _____

Series W6000

3-Piece Sanitary Ball Valves with Tri Clamp and Tube Weld Connections

½"-2"

Watts W6000 3-piece sanitary ball valves provide precise, reliable shutoff for high purity and hygienic processing environments. Constructed from corrosion resistant stainless steel with smooth, crevice free internal surfaces, they minimize contamination risk and support CIP and SIP processes. Full port design ensures low pressure drop and unrestricted flow, while precision seats deliver tight shutoff and long service life.

Available with tri clamp or tube weld end sanitary connections, these valves integrate easily into process systems. Ideal for food and beverage, liquid cooling and other industrial applications, they are offered with manual lever handle.

Features

- Hygienic design compliant with 3-A standards
- 32 Ra internal surface finish to reduce contamination risk
- Reliable shut-off with TFM1600 seats
- Compact, lightweight and designed for in-line maintenance
- 316L stainless steel construction
- Full port design for maximum flow efficiency

Standards and Specifications

- Designed and manufactured in accordance with 3-A Section 68-01
- Inspected and tested in accordance with API 598
- End connections in accordance with 3-A standard

NOTICE

The information contained herein is not intended to replace the full product installation and safety information available or the experience of a trained product installer. You are required to thoroughly read all installation instructions and product safety information before beginning the installation of this product.



W6200

W6400

Call customer service if you need assistance with technical details.

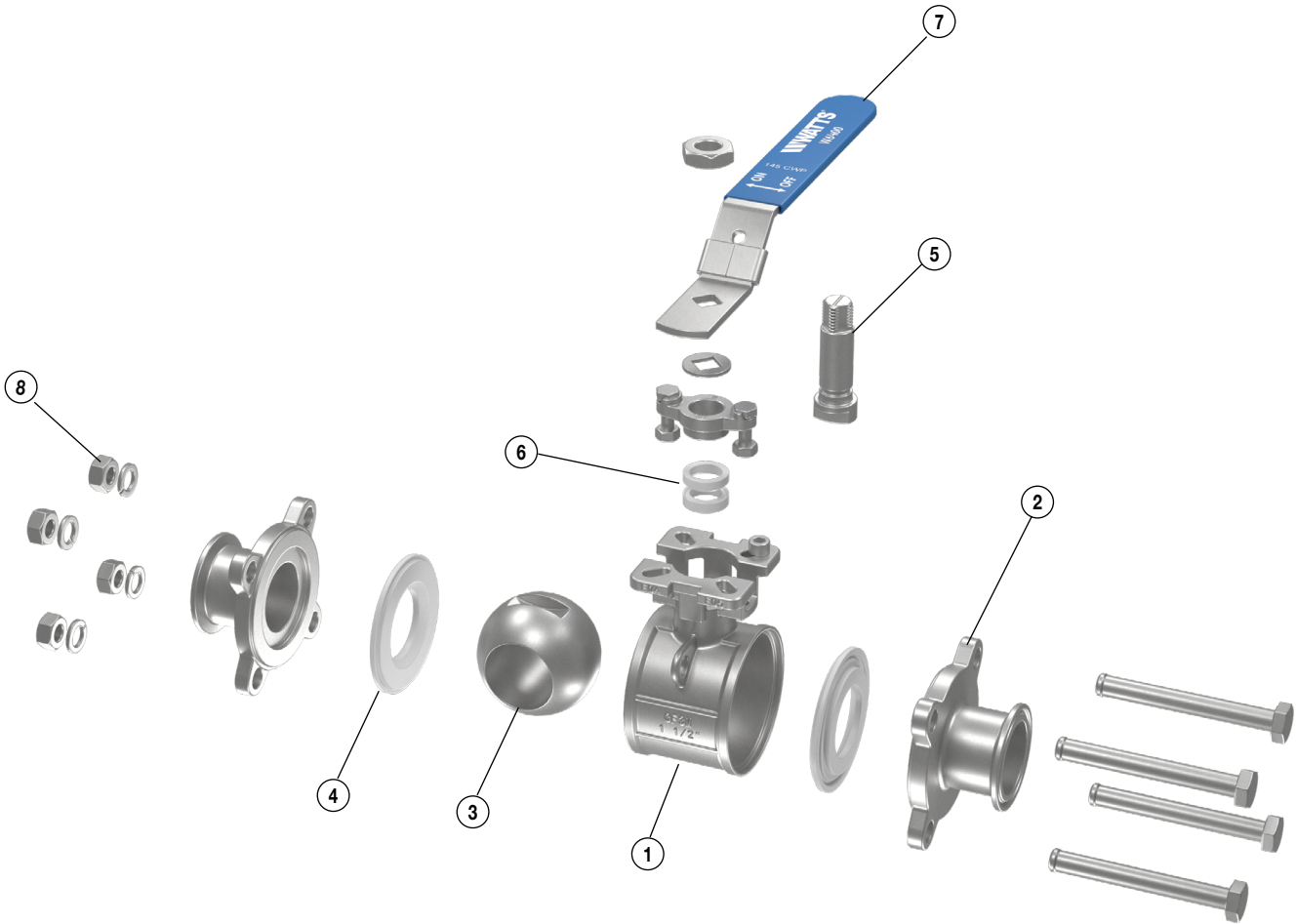
PRESSURE/TEMPERATURE - NON-SHOCK					
MODEL	CONNECTION	SIZE	MATERIAL	PRESSURE	TEMPERATURE
W6400	Tri Clamp	½"-2"	316L SS	145 psi (10 bar)	-76 - 302°F (-60 - 150°C)
W6200	Tube Weld	½"-2"	316L SS	145 psi (10 bar)	-76 - 302°F (-60 - 150°C)

Materials

ITEM	NAME	MATERIAL
1	Valve Body	ASTM 351 Gr CF3M
2	Valve Adaptor	ASTM 351 Gr CF3M
3	Ball	316L Stainless Steel
4	Seat	TFM1600/M111
5	Stem	316L Stainless Steel
6	Packing	PTFE
7	Handle	304 Stainless Steel
8	Nuts/Washers	304 Stainless Steel

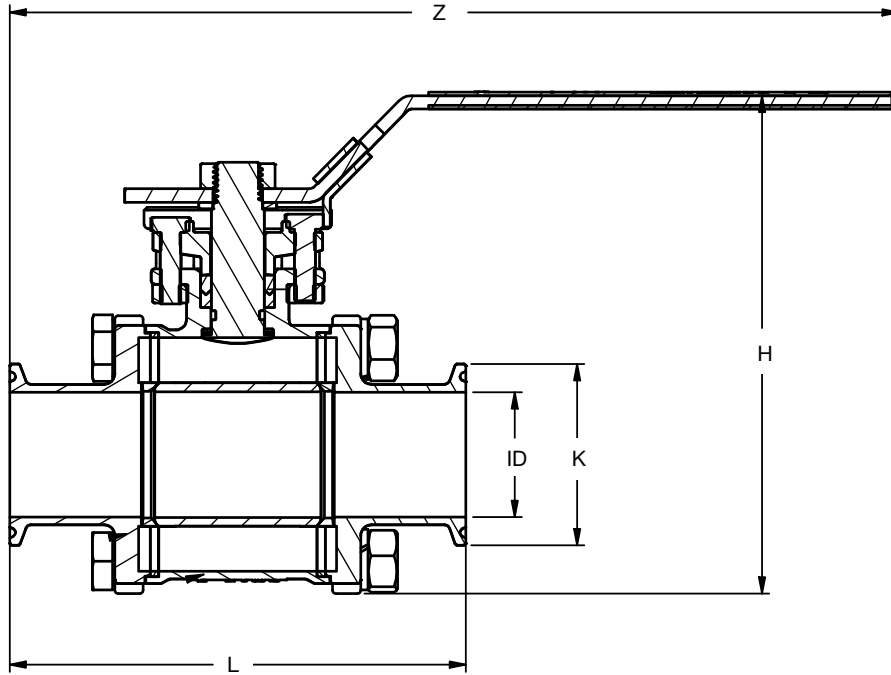
Torque and Flow

SIZE	NUT TORQUE (FT LB)	NUT TORQUE (NM)	Cv	Kv
1/2"	3.7	5.0	3	2
3/4"	4.4	6.0	9	3
1"	11.1	15.0	17	15
1 1/4"	14.8	20.1	54	47
1 1/2"	14.8	20.1	66	57
2"	14.8	20.1	161	139



* See Watts.com for available repair kits.

Dimensions



MODEL	SIZE	ID		K		Z		H		L		WEIGHT	
	<i>in.</i>	<i>in.</i>	<i>mm</i>	<i>in.</i>	<i>mm</i>	<i>in.</i>	<i>mm</i>	<i>in.</i>	<i>mm</i>	<i>in.</i>	<i>mm</i>	<i>lbs.</i>	<i>kgs</i>
W6400	1/2"	3/8"	9	1"	25	6 ¹⁵ / ₁₆ "	177	3 ⁵ / ₈ "	92	3 ¹¹ / ₁₆ "	93	2.2	1.0
	3/4"	5/8"	16	1"	25	7 ³ / ₁₆ "	182	3 ⁷ / ₈ "	98	4 ¹ / ₁₆ "	103	2.4	1.1
	1"	7/8"	22	2"	51	8 ⁷ / ₁₆ "	214	4 ³ / ₄ "	120	4 ⁵ / ₁₆ "	110	3.1	1.4
	1 1/4"	1 1/8"	29	2"	51	9"	228	5 ³ / ₈ "	136	4 ³ / ₄ "	120	3.3	1.5
	1 1/2"	1 3/8"	35	2"	51	9 ¹⁵ / ₁₆ "	252	5 ¹³ / ₁₆ "	147	5 ¹ / ₁₆ "	129	5.1	2.3
	2"	1 7/8"	48	2 1/2"	64	10 ⁷ / ₈ "	277	6 ⁵ / ₈ "	169	5 ¹¹ / ₁₆ "	145	7.1	3.2
W6200	1/2"	3/8"	9	1/2"	15	6 ¹⁵ / ₁₆ "	177	3 ⁵ / ₈ "	92	3 ¹¹ / ₁₆ "	93	2.0	1.0
	3/4"	5/8"	16	3/4"	20	7 ³ / ₁₆ "	182	3 7/8"	98	4 ¹ / ₁₆ "	103	2.1	1.0
	1"	7/8"	22	1"	25	8 ⁷ / ₁₆ "	214	4 ³ / ₄ "	120	4 ⁵ / ₁₆ "	110	2.9	1.3
	1 1/4"	1 1/8"	29	1 1/4"	32	9"	228	5 ³ / ₈ "	136	4 ³ / ₄ "	120	3.1	1.4
	1 1/2"	1 3/8"	35	1 1/2"	40	9 ¹⁵ / ₁₆ "	252	5 ¹³ / ₁₆ "	147	5 ¹ / ₁₆ "	129	4.9	2.2
	2"	1 7/8"	48	2"	51	10 ⁷ / ₈ "	277	6 5/8"	169	5 ¹¹ / ₁₆ "	145	6.8	3.1



USA: T: (978) 689-6066 • Watts.com
 Canada: T: (888) 208-8927 • Watts.ca
 Latin America: T: (52) 55-4122-0138 • Watts.com