

Engineering Specification

Job Name _____

Contractor _____

Job Location _____

Approval _____

Engineer _____

Contractor's P.O. No. _____

Approval _____

Representative _____

Series W7000

2-Piece Sanitary Butterfly Valves with Tri Clamp & Tube Weld Connections

1/2"-4"

Watts W7000 two-piece sanitary butterfly valves provide efficient, dependable flow control for high purity and hygienic processing environments. Designed for low pressure drop and consistent sealing performance, the valve integrates easily with standard sanitary connections such as tri clamp and tube weld ends.

The valves are bidirectional and are rated for dead-end service up to the full pressure rating of the valve. Ideal for liquid cooling, food and beverage and other industrial applications. These valves are available with a lever handle or gear operator for larger sizes.

Features

- Hygienic design compliant with 3-A standards
- 32 Ra internal surface finish to reduce contamination risk
- Reliable shut-off with EPDM seat
- Compact, lightweight and easy to maintain
- Rated for dead-end service up to the full pressure rating of the valve
- Bidirectional, no specific installation orientation required

Standards and Specifications

- Designed and manufactured in accordance with GB/T 12238
- Inspected and tested in accordance with API 598
- End connections in accordance with 3-A standard

NOTICE

The information contained herein is not intended to replace the full product installation and safety information available or the experience of a trained product installer. You are required to thoroughly read all installation instructions and product safety information before beginning the installation of this product.



W7400



W7200

Call customer service if you need assistance with technical details.

PRESSURE/TEMPERATURE - NON-SHOCK					
MODEL	CONNECTION	SIZE	MATERIAL	PRESSURE	TEMPERATURE
W7400	Tri Clamp	1/2"-4"	316L SS	145 psi (10 bar)	-4 - 275°F (-20 - 135°C)
W7200	Tube Weld	1/2"-4"	316L SS	145 psi (10 bar)	-4 - 275°F (-20 - 135°C)

Torque and Flow

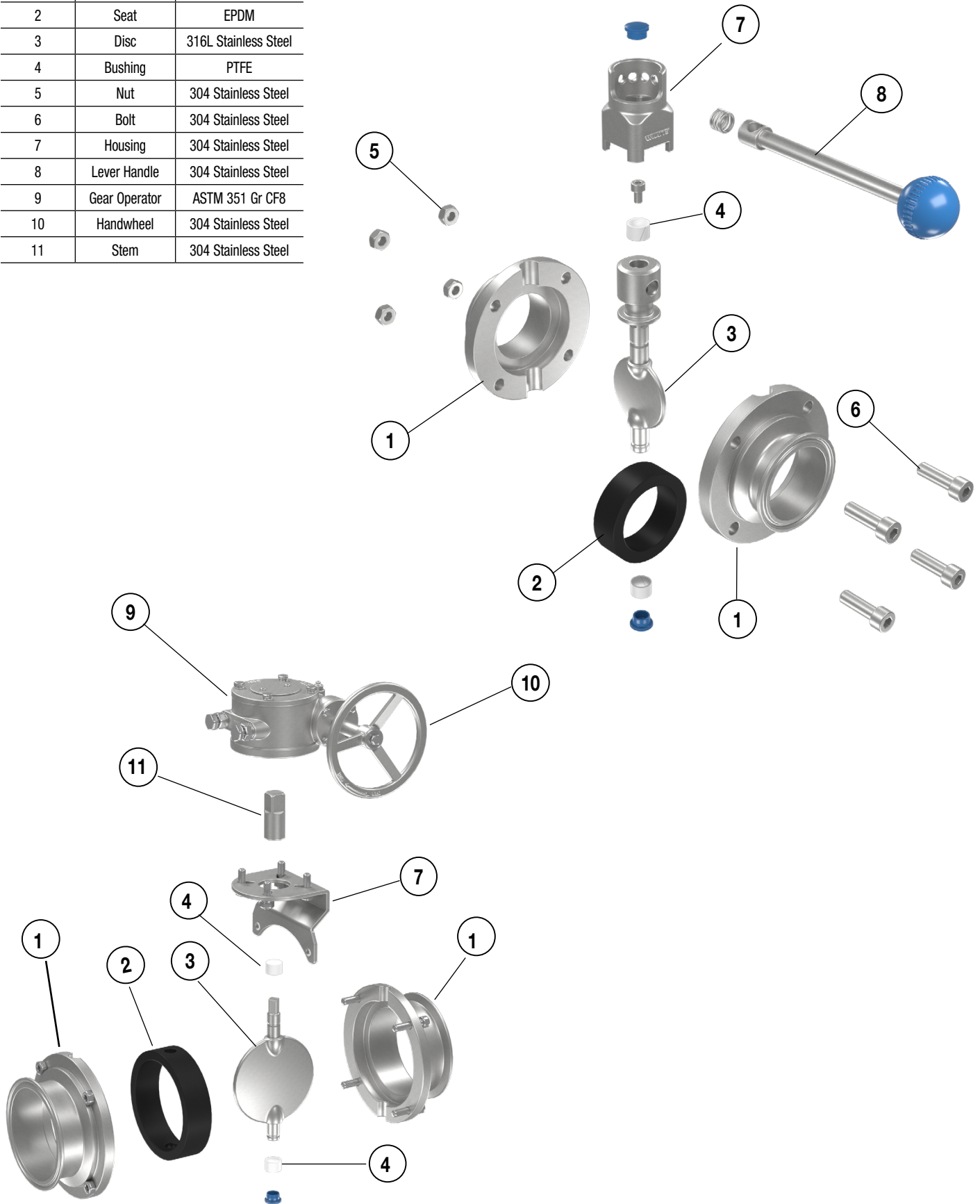
SIZE	BOLT TORQUE		CV	KV
	ft lb	nm		
1/2"	3.7	5.0	3	3
3/4"	4.4	6.0	9	8
1"	5.2	7.1	11	10
1-1/4"	7.4	10.0	26	22
1-1/2"	7.4	10.0	51	44
2"	7.4	10.0	62	54
2-1/2"	8.9	12.1	100	87
3"	8.9	12.1	217	188
4"	8.9	12.1	350	303

Watts product specifications in U.S. customary units and metric are approximate and are provided for reference only. For precise measurements, please contact Watts Technical Service. Watts reserves the right to change or modify product design, construction, specifications, or materials without prior notice and without incurring any obligation to make such changes and modifications on Watts products previously or subsequently sold.



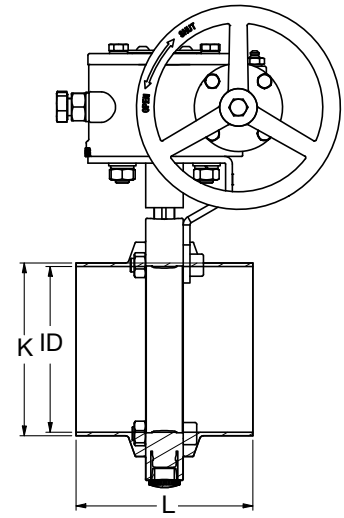
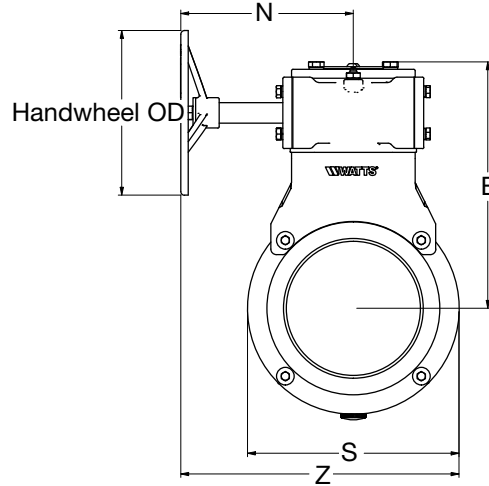
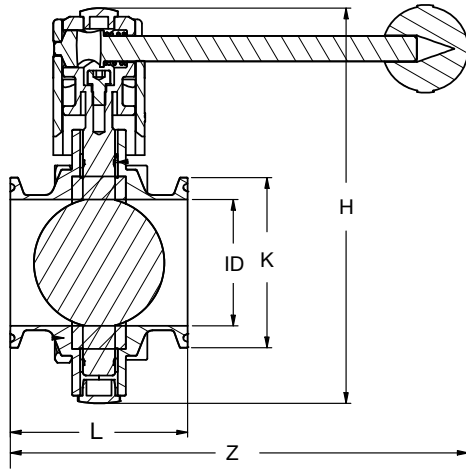
Materials

ITEM	NAME	MATERIAL
1	Valve Body	316L Stainless Steel
2	Seat	EPDM
3	Disc	316L Stainless Steel
4	Bushing	PTFE
5	Nut	304 Stainless Steel
6	Bolt	304 Stainless Steel
7	Housing	304 Stainless Steel
8	Lever Handle	304 Stainless Steel
9	Gear Operator	ASTM 351 Gr CF8
10	Handwheel	304 Stainless Steel
11	Stem	304 Stainless Steel

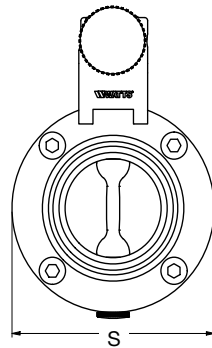


* See Watts.com for available repair kits.

Dimensions



Lever Handle



Gear Operator

MODEL	ACTUATOR	SIZE	ID		K		S		Z		H		L		B		N		HANDWHEEL OD		WEIGHT	
			in.	in.	mm	in.	mm	in.	mm	in.	mm	in.	mm	in.	mm	in.	mm	in.	mm	in.	mm	lbs.
W7200	Lever Handle	1/2"	3/8"	9	1"	25	3 1/16"	78	6 11/16"	170	5"	127	2 5/8"	66	-	-	-	-	-	-	3.1	1.4
		3/4"	5/8"	16	1"	25	3 1/16"	78	6 11/16"	170	5"	127	2 5/8"	66	-	-	-	-	-	-	3.1	1.4
		1"	7/8"	22	2"	51	3 1/16"	78	6 11/16"	170	5"	127	2 5/8"	66	-	-	-	-	-	-	3.3	1.5
		1 1/4"	1 1/8"	29	2"	51	3 1/16"	78	6 11/16"	170	5"	127	2 5/8"	66	-	-	-	-	-	-	3.0	1.4
		1 1/2"	1 3/8"	35	2"	51	3 3/8"	86	6 3/4"	172	5 5/16"	135	2 3/4"	70	-	-	-	-	-	-	3.1	1.4
		2"	1 7/8"	48	2 1/2"	64	3 15/16"	100	6 7/8"	175	5 7/8"	150	3"	76	-	-	-	-	-	-	3.7	1.7
		2 1/2"	2 3/8"	60	3 1/16"	78	4 1/2"	115	6 15/16"	177	6 1/2"	165	3 1/8"	80	-	-	-	-	-	-	5.1	3.4
		3"	2 7/8"	73	3 9/16"	91	5 1/16"	128	8 1/8"	207	7 1/16"	180	3 5/16"	84	-	-	-	-	-	-	6.2	2.8
	4"	3 13/16"	97	4 1 1/16"	119	6 1/16"	154	8 7/16"	215	8 1/8"	206	4 1/8"	104	7 1/8"	180.5	4 15/16"	125	4 3/4"	120	10.6	4.8	
	Gear Operator	4"	3 3/16"	97	4 1 1/16"	119	6 1/16"	154	7 15/16"	202	-	-	4 1/8"	104	7 1/8"	180.5	4 15/16"	125	4 3/4"	120	10.6	4.8
W7400	Lever Handle	1/2"	3/8"	9	1/2"	13	3 1/16"	78	6 3/8"	162	5"	127	2 5/8"	50	-	-	-	-	-	3.1	1.4	
		3/4"	5/8"	16	3/4"	19	3 1/16"	78	6 3/8"	162	5"	127	2 5/8"	50	-	-	-	-	-	3.1	1.4	
		1"	7/8"	22	1"	25	3 1/16"	78	6 3/8"	162	5"	127	2 5/8"	50	-	-	-	-	-	3.3	1.5	
		1 1/4"	1 1/8"	29	1 1/4"	32	3 1/16"	78	6 3/8"	162	5"	127	2 5/8"	50	-	-	-	-	-	3.0	1.4	
		1 1/2"	1 3/8"	35	1 1/2"	38	3 3/8"	86	6 7/16"	163	5 5/16"	135	2 3/4"	70	-	-	-	-	-	3.1	1.4	
		2"	1 7/8"	48	2"	51	3 15/16"	100	6 7/16"	163	5 7/8"	150	3"	52	-	-	-	-	-	3.7	1.7	
		2 1/2"	2 3/8"	60	2 1/2"	64	4 1/2"	115	6 1/2"	165	6 1/2"	165	3 1/8"	56	-	-	-	-	-	5.1	3.4	
		3"	2 7/8"	73	3"	76	5 1/16"	128	7 5/8"	194	7 7/16"	180	3 5/16"	58	-	-	-	-	-	6.2	2.8	
	4"	3 13/16"	97	4"	102	6 1/16"	154	7 11/16"	195	8 1/8"	206	4 1/8"	64	7 1/8"	180.5	4 15/16"	125	4 3/4"	120	10.6	4.8	
	Gear Operator	4"	3 3/16"	97	4"	102	6 1/16"	154	7 15/16"	202	-	-	4 1/8"	64	7 1/8"	180.5	4 15/16"	125	4 3/4"	120	10.6	4.8



USA: T: (978) 689-6066 • Watts.com
 Canada: T: (888) 208-8927 • Watts.com
 Latin America: T: (52) 55-4122-0138 • Watts.com

