

For Residential and Commercial Applications

Job Name _____
 Job Location _____
 Engineer _____
 Approval _____

Contractor _____
 Approval _____
 Contractor's P.O. No. _____
 Representative _____

ThermalPro™ Non-Mixing Boiler Station

1" and 1½" piping without mixing

ThermalPro™ Non-Mixing Boiler Station is a compact, pre-piped mechanical system complete with circulator, isolation ball valves, temperature gauges, and differential pressure bypass valve.

Specifications

ThermalPro Non-Mixing Boiler Stations speed up installation by connecting directly to a hydronic heating system providing a compact piping system in a thermally insulated enclosure.

Controls, relays, and corresponding thermostats are not included with the ThermalPro Boiler Station package.

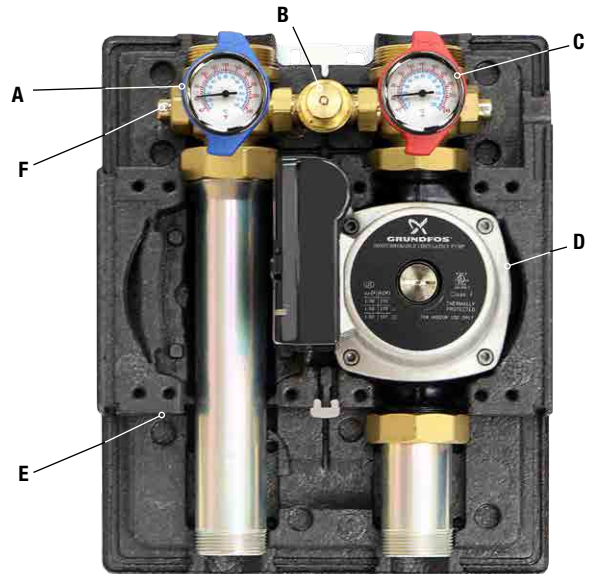
CIRCULATOR DETAILS		25-58	26-99
Casing Material		Cast Iron	
Voltage		120	
Amps/Watts	Speed 1	0.75/87	1.80/197
	Speed 2	0.66/80	1.50/179
	Speed 3	0.55/60	1.30/150
Horsepower		1/25	1/6
Fluid Temperature Range		36°F to 230°F (2°C to 110°C)	
Max. Working Pressure		145 psi	
Max. Flow Capacity (GPM)		17.5	34
Max. Head Capacity ⁽¹⁾ (feet)		19	32

(1) Maximum head capacity shown does not correspond to maximum flow capacity. Refer to circulator specifications for actual pump curves.

Features

Each ThermalPro panel comes standard with the following:

- Stainless steel supply and return piping
- Color coded supply/return temperature gauges
- Integrated ball valves
- Integrated check valve (supply side only)
- Selection of 2 circulator options
- Fully encompassing expanded polystyrene insulated enclosure



- A Return Temperature Gauge with internal isolation ball valve and check valve
- B Differential Pressure By-pass
- C Supply Temperature Gauge with internal isolation ball valve
- D Circulator
- E Insulated Enclosure
- F Sensor Well

✓	ORDER #	DESCRIPTION
	81015287	1" Non-Mixing Boiler Station with UPS 25-58 Circulator
	81015288	1" Non-Mixing Boiler Station with UPS 25-99 Circulator
	81010373	1¼" FNPT x BSP Tailpiece Set (2)
	81010374	1¼" Sweat Union x BSP Tailpiece Set (2)

⚠ CAUTION

This Engineering Sheet is not intended to provide full installation instructions and safety information. In order to avoid property damage or injury, please refer to the complete installation manual and product safety information provided with the product.

⚠ WARNING

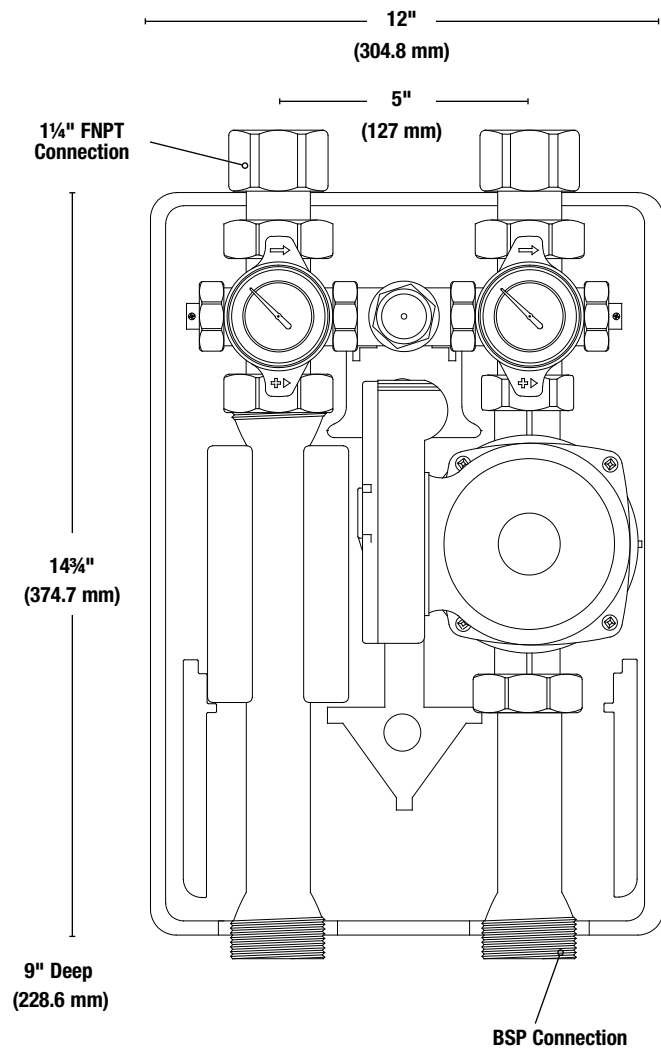
General Safety Instructions

- 1. THIS UNIT SHOULD BE INSTALLED ONLY BY QUALIFIED PERSONNEL!**
2. Disconnect all power from the control before opening the front cover plate.

Watts product specifications in U.S. customary units and metric are approximate and are provided for reference only. For precise measurements, please contact Watts Technical Service. Watts reserves the right to change or modify product design, construction, specifications, or materials without prior notice and without incurring any obligation to make such changes and modifications on Watts products previously or subsequently sold.

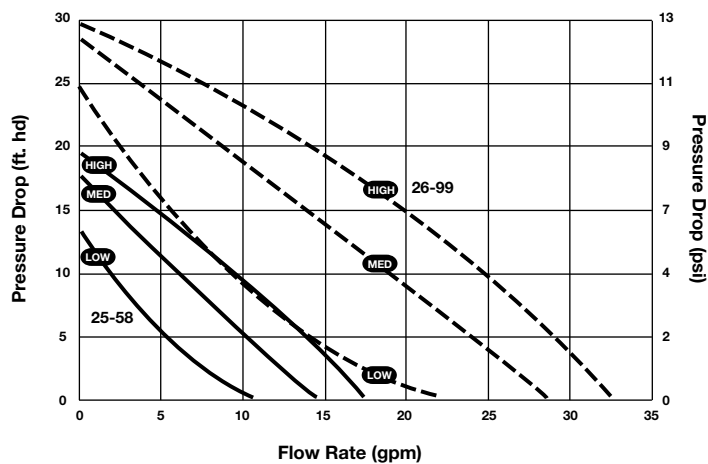


Typical Dimensions



Circulator

Three-speed circulator is standard for the ThermalPro Boiler Station to provide for a wide range of system conditions. Circulator speed not to exceed 2 gpm per circuit



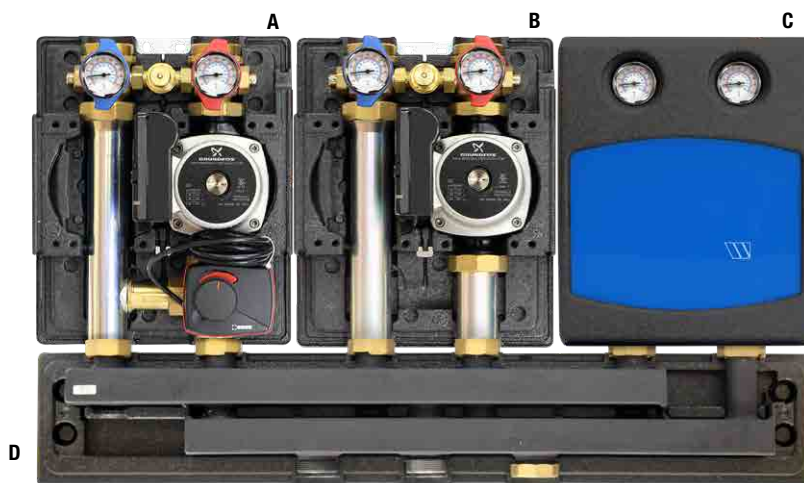
Tailpieces are required to transition between the ThermalPro unit and the supply or return line. Sets are available in either Sweat x BSP or FNPT x BSP. Not included with panels. Not required to connect to the ThermalPro Header.

Typical Configuration

ThermalPro™ panels can be “chained” together with the use of a Header Manifold. A maximum of five ThermalPro panels can be chained together.

All electrical wiring must be done at the time of installation. Mixing and circulator controls are not included with the ThermalPro panel.

- A Mixing Panel
- B Non-Mixing Panel
- C Panel with Cover Installed
- D Header Manifold



USA: Tel: (800) 276-2419 • Fax: (417) 864-8161 • Watts.com
 Canada: Tel: (905) 332-4090 • Fax: (905) 332-7068 • Watts.com
 Latin America: Tel: (62) 81-1001-8600 • Watts.com