

MasterSeries® Type W/WZ

Extended Lay Length N- and Z-pattern Backflow Preventers for Retrofit Applications

The same quality and reliability of the FEBCO MasterSeries®, but with new lay lengths that allow drop-in replacement of older valves.

- Investment-cast stainless steel internal components for extended valve life and reduced maintenance
- Superior check design reduces pressure loss
- Captured springs for easy check maintenance
- Type II bypass detectors for faster testing, lower head loss, and easier maintenance
- W/WZ models available 4"-10"

Longer Lay Length for Drop-in Replacements



Put Some Armor On It

ArmorTek™ advanced coating system

is a patent pending three-pronged approach to corrosion protection. Each layer is field-tested and proven to slow the spread of corrosion while prohibiting the growth of the bacteria that can cause MIC and limiting tubercles that can clog or foul downstream equipment.



1: Anti-corrosion primer



2: Microbial inhibitor

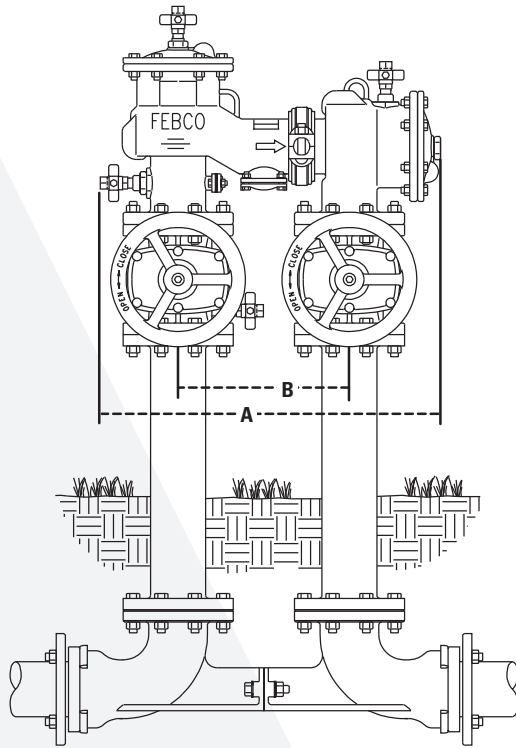


3: Robust topcoat

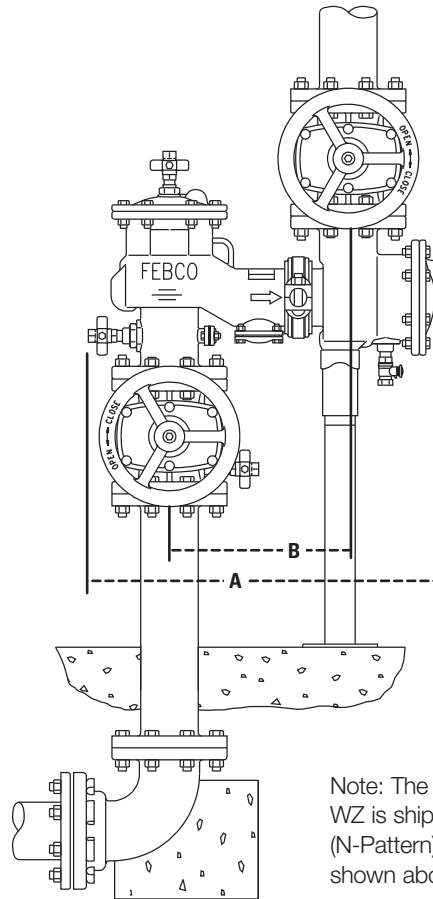
Dimensions

Below are the nominal lay lengths for the Model LF870W/WZ size 4" through 10". Allowances must be made for normal manufacturing tolerances. Please visit our website to download a copy of this product's installation instructions, or contact your local FEBCO Representative for more information.

Model LF870W
Standard Orientation (N-Pattern)



Model LF870WZ
Vertical Orientation (Z-Pattern)



Available from 4" – 10" in the following Series:

TYPE	N-PATTERN	Z-PATTERN
Double Check Assembly	LF870W	LF870WZ
Double Check Detector Assembly	LF876W	LF876WZ
Reduced Pressure Zone Assembly	LF880W	LF880WZ
Reduced Pressure Detector Assembly	LF886W	LF886WZ

For full weights and dimensions, go to Watts.com

SIZE	DIMENSIONS							
	A (W)		A (Z)		B (W)		B (Z)	
in.	in.	mm	in.	mm	in.	mm	in.	mm
4	32 ³ / ₁₆	818	32 ¹³ / ₁₆	833	18 ⁵ / ₁₆	465	18 ¹⁵ / ₁₆	481
6	34 ¹⁵ / ₁₆	887	37 ¹ / ₄	946	18 ¹¹ / ₁₆	475	21	533
8	48	1219	49 ⁹ / ₁₆	1253	29	737	30 ⁵ / ₁₆	770
10	50 ¹ / ₁₆	1272	51 ³ / ₈	1304	29	737	30 ⁵ / ₁₆	533

Notes:

** Indicates nominal dimensions with NRS Gate Valves

*** Indicates nominal dimensions with OSY Gate Valves (Full Open Position)



A WATTS Brand

USA: T: (800) 767-1234 • F: (800) 788-4491 • FEBCOonline.com

Canada: T: (888) 208-8927 • F: (888) 479-2887 • FEBCOonline.ca

Latin America: T: ((52)) 55-4122-0138 • FEBCOonline.com