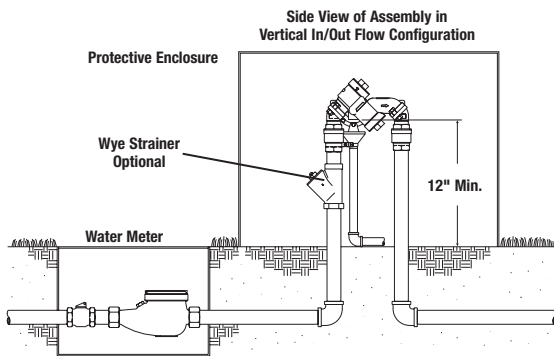


Typical Installation

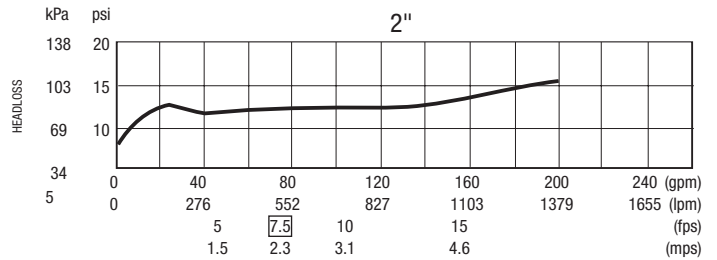
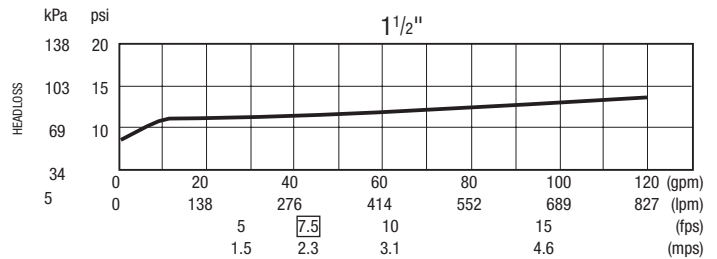
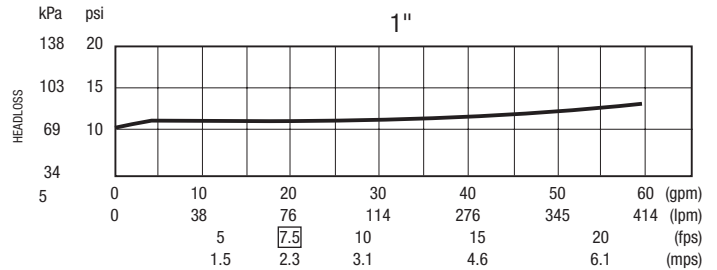
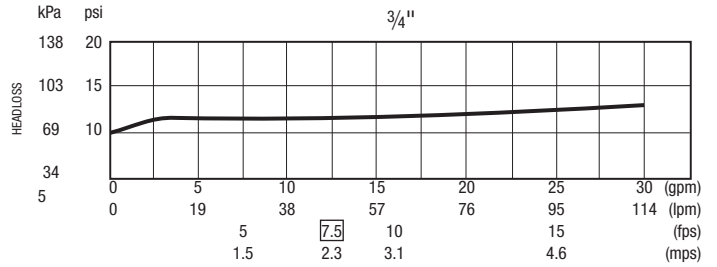
FEBCO Series 825YA provides versatility in installation because it can be installed in any of four configurations. The most typical configuration is shown in the vertical up flow in/vertical down flow out diagram. This provides for an extremely short lay length which is advantageous in areas of limited space for installation within a protected enclosure. Cost savings can be realized due to the reduction in materials needed such as nipples, elbows, unions, and size of the enclosure. With the integral flanged union connections, the assembly can be removed from the line for freeze protection without a spool substitution. It is not recommended that any backflow prevention assembly be removed from the line for maintenance unless assurance can be made that a spool cross-connection cannot be substituted. The flanged union connection mounted at 45 degrees provides this assurance. The series is shipped in the configuration shown in the vertical up flow/vertical down flow out diagram, but can easily be modified to the three other configurations (shown on inside of this specification sheet) simply by removing the bolts to rotate the end adapters.

With any configuration, material and labor savings can be achieved. FEBCO Series 825YA is the only Reduced Pressure Zone Assembly which provides these options in a compact, integral assembly. All internal components are interchangeable with FEBCO Series 825Y providing the same ease of maintenance and reliable operation.

Reduced Pressure Zone assemblies should be installed with a minimum clearance of 12" between port and floor or grade. They must be installed where discharge is not objectionable and can be positively drained away. They should be installed where easily accessible for testing and maintenance and must be protected from freezing. Thermal water expansion and/or water hammer downstream of the backflow preventer can cause excessive pressure. Excessive pressure situations should be eliminated to avoid possible damage to the system and device.



Capacity



A WATTS Brand

USA: Tel: (800) 767-1234 • Fax: (800) 788-4491 • FEBCOonline.com
 Canada: Tel: (888) 208-8927 • Fax: (905) 481-2316 • FEBCOonline.ca
 Latin America: (52) 55-4122-0138 • FEBCOonline.com

