

tekmar® Submittal

Remote Start / Stop Module 039



Accessories

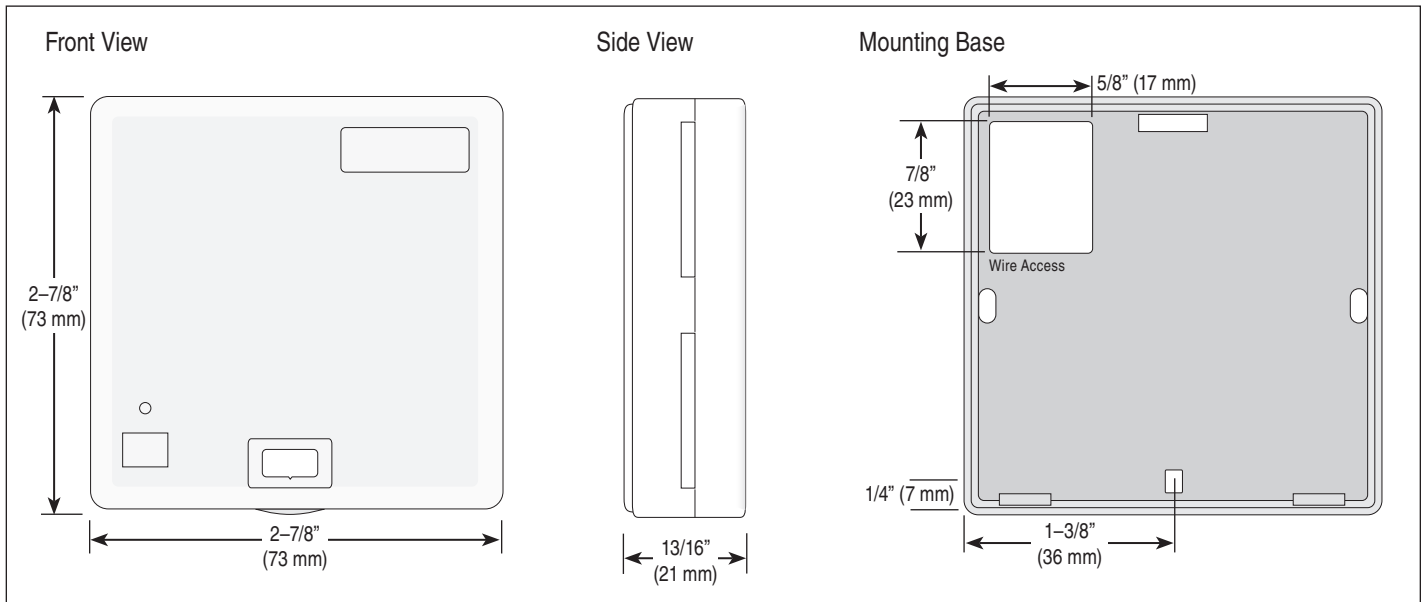
C039

01/11

Replaces: New

Job _____ Designer _____ Contact _____

The Remote Start / Stop Module 039 is designed to increase the ease of use on a manual snow melting system using a tekmar snow melting control. It can be used in applications where manual control of snowmelt systems is required away from the main control in reaction to a snowfall or in anticipation thereof. This product can also be used to adjust the run time of the snow melting system with a dial located at the base of the control.



Specifications

Remote Display Module (RDM) 039	
Literature	D039
Packaged weight	0.22 lb (100 g)
Dimensions	2-7/8" H x 2-7/8" W x 13/16" D (73 x 73 x 21 mm)
Enclosure	White PVC plastic, NEMA type 1
Approvals	CSA NRTL/C, meets DOC & FCC regulations for EMI/RFI.
Ambient conditions	Indoor use only, 32 to 122°F (0 to 50°C), < 90% RH Non-condensing
Power supply	tekmar controls: 362, 664, 665, 667
Warranty	Limited 3 Year (See D039 for full warranty)

Features

- Manually start / stop snowmelt system
- Easy to adjust run time using dial provided
- LED for status

SPECIAL REQUIREMENTS

Designed for use with the following tekmar controls: 362, 664, 665, 667 ONLY



tekmar Control Systems Ltd., Canada, tekmar Control Systems, Inc., U.S.A. **Head Office: 5100 Silver Star Road, Vernon, B.C. Canada V1B 3K4, 250-545-7749, Fax. 250-545-0650 Web Site: www.tekmarcontrols.com**

