

tekmar® Submittal

tekmarNet® 4 Gateway 483



Accessories

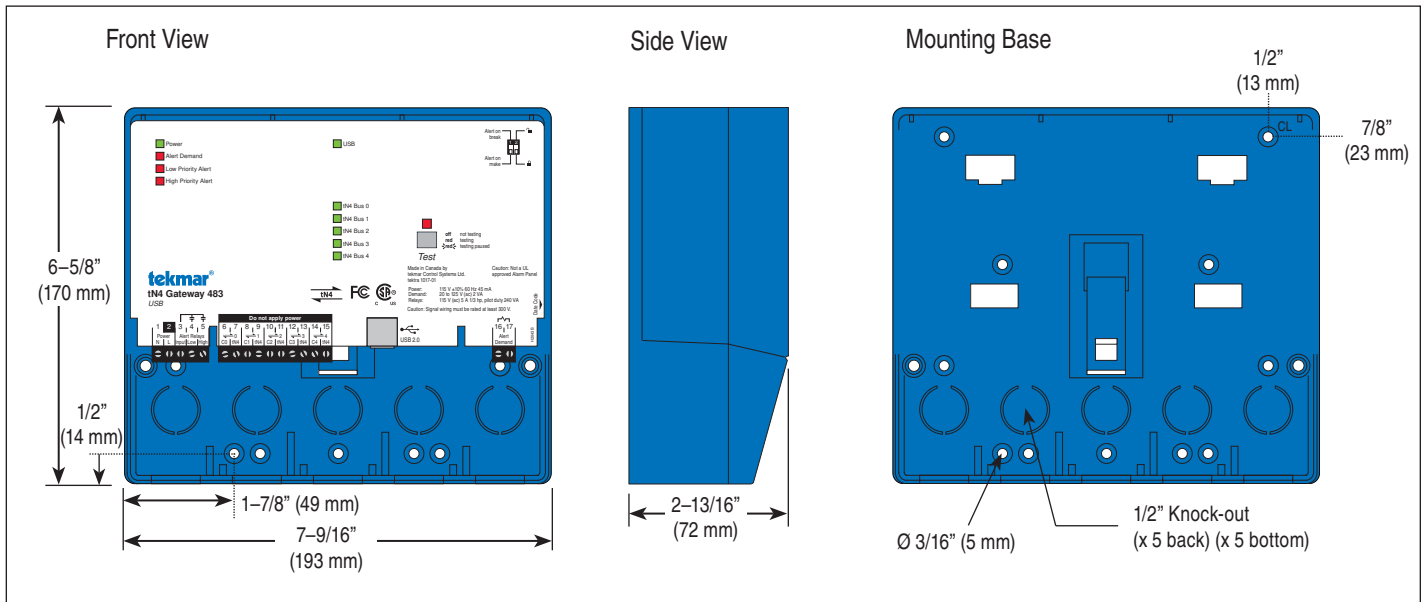
C 483

01/11

Replaces: New

Job _____ Designer _____ Contact _____

The tekmarNet® 4 Gateway 483 allows remote access to tekmarNet® compatible controls through a computer web browser such as Internet Explorer®, Firefox®, Safari®, or mobile device browsers. Access can be either direct, through a local area network, or through the Internet. This product allows temperature adjustment of thermostats and setpoint controls, monitoring of system temperatures and run-times, adjustment of setback schedules and overrides as well as the graphing of trends of any of these parameters.



Specifications

tN4 Gateway 483 USB	
Literature	D483, D483A, W483, J483, P036 (CD)
Control	Microprocessor control. This is not a safety (limit) control
Packaged weight	3.6 lb. (1600 g)
Enclosure	blue PVC plastic, NEMA type 1
Dimensions	6-5/8" H x 7-9/16" W x 2-13/16" D (170 x 193 x 72 mm)
Approvals	CSA C US, meets Class B: ICES & FCC Part 15
Ambient conditions	Indoor use only, 32 to 122°F (0 to 50°C), 9842 feet (3000 m) maximum altitude
Power supply	115 V (ac), 60 Hz, 45 mA
Relays	115 V (ac), 5 A 1/3 hp, pilot duty 240 VA
Demands	20 to 125 V (ac) 2 VA
Warranty	Limited 3 Year (See D483 for full warranty)

Features

- Monitor and adjust temperatures from anywhere there is an internet connection
- Adjust schedules
- Adjust and activate scenes
- Activate setpoint controls
- Low and high level alert contacts
- Alert demand input
- No annual fees required
- E-mail status reports and alerts
- Free software updates available for download from www.tekmarcontrols.com
- Apple Mac® OS X® computer required

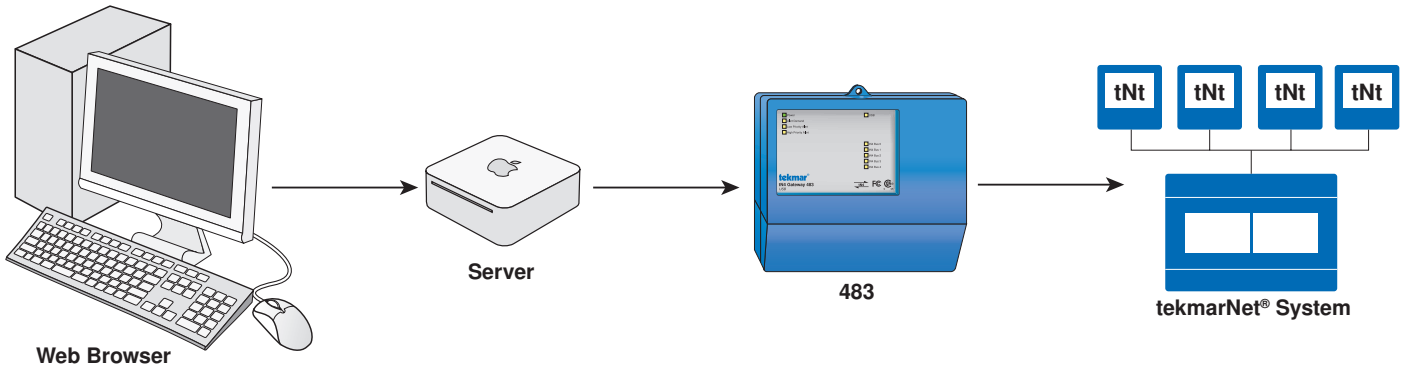
SPECIAL REQUIREMENTS

Apple Mac® OS X® computer and internet connection at site required for data capture and web display of information.

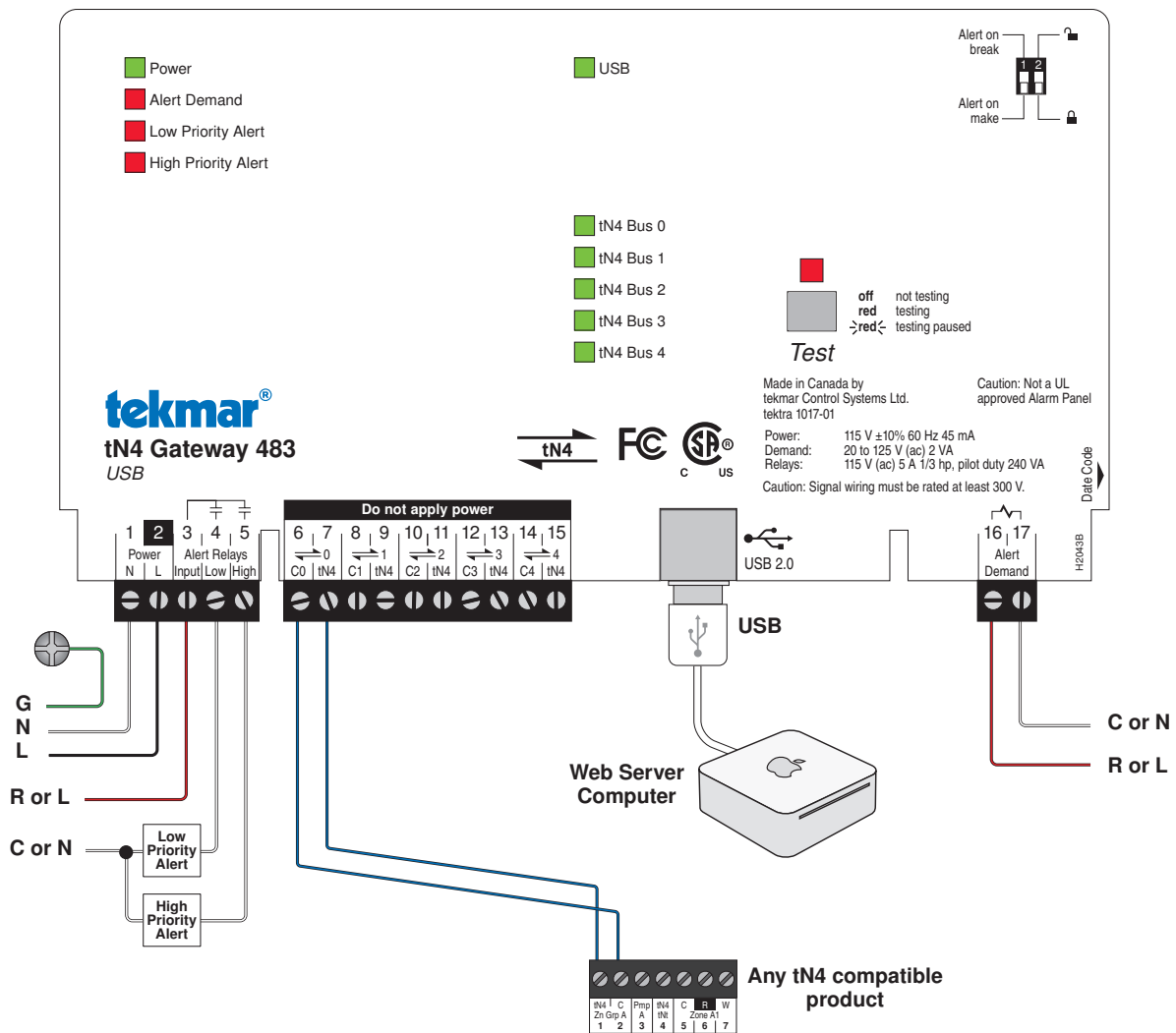
Sample Application Drawing

Below is a sample application drawing for this product. This application may include other tekmar products that are required for installation. More sample applications can be found at www.tekmarcontrols.com.

Sample Mechanical diagram



Sample Electrical diagram



tekmar Control Systems Ltd., Canada, tekmar Control Systems, Inc., U.S.A. Head Office: 5100 Silver Star Road, Vernon, B.C. Canada V1B 3K4, 250-545-7749, Fax. 250-545-0650 Web Site: www.tekmarcontrols.com

