

# tekmar® Submittal

## Programmable Thermostat 511



Zoning

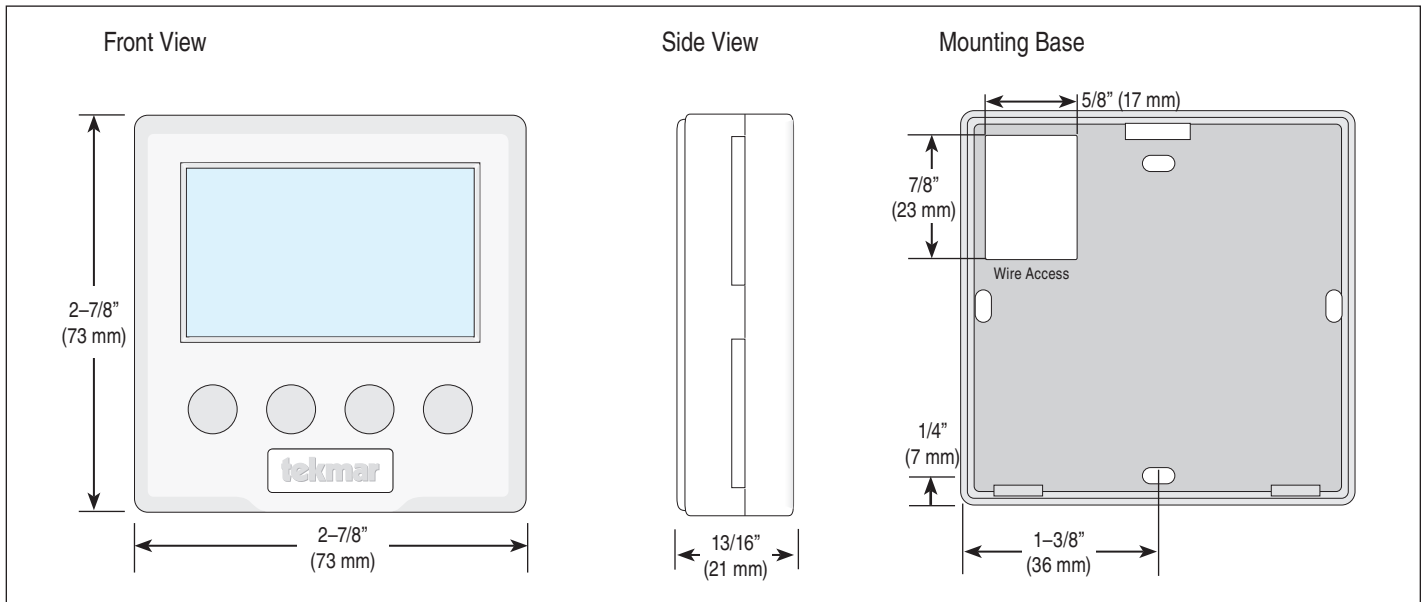
**C511**

02/12

Replaces: 01/11

Job \_\_\_\_\_ Designer \_\_\_\_\_ Contact \_\_\_\_\_

The Programmable Thermostat 511 is a micro-processor based control designed to operate mechanical equipment to deliver heat to a single zone within a hydronic heating system. It can be used with any terminal unit type, including radiant floor, baseboard, and fan coils. This product maintains very accurate and even air temperature with Pulse Width Modulation and Auto Cycling. It is capable of controlling a zone valve or zone pump directly or through a tekmarNet® 4 Wiring Center or Zone Manager to maintain air temperature and 2 auxiliary temperatures. These temperatures could be floor or remote air. A slab sensor is included.



### Specifications

Programmable Thermostat 511 (510 + 079) One Stage Heat	
Literature	D510, U510, C511
Control	Microprocessor control. This is not a safety (limit) control
Packaged weight	0.5 lb. (230 g)
Dimensions	2-7/8" H x 2-7/8" W x 13/16" D (73 x 73 x 21 mm)
Enclosure	White PVC plastic, NEMA type 1
Approvals	CSA C US, meets class B: ICES & FCC Part 15
Ambient conditions	Indoor use only, 32 to 122°F (0 to 50°C), RH ≤90% Non-condensing
Power supply	24 V (ac) ±10%, 60 Hz, 3 VA
Relays	24 V (ac) 2 A max, Class 2
Sensors	NTC thermistor, 10 kΩ @ 77°F (25°C ±0.2°C) β=3892
-Included	Slab Sensor 079
-Optional	tekmar type #: 070, 072, 073, 076, 077, 079, 083, 084
Warranty	Limited 3 Year (See D510 for full warranty)

### Energy Saving Features

- Programmable Setback Schedule

### Additional Features

- Auto Heating Cycle
- Pulse Width Modulation
- CSA C US Approved for use in USA and Canada
- Freeze Protection
- 2 auxiliary sensor inputs
- Included slab sensor
- Slab max. and min. settings with installed slab sensor

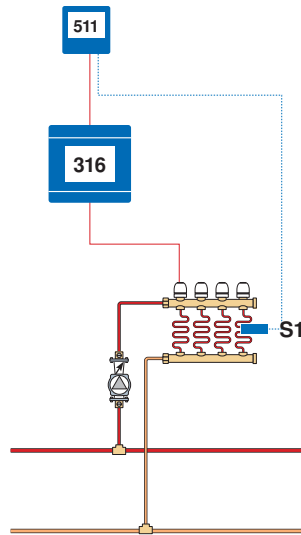
### SPECIAL REQUIREMENTS

N / A

## Sample Application Drawing

Below is a sample application drawing for this product. This application may include other tekmar products that are required for installation. More sample applications can be found at [www.tekmarcontrols.com](http://www.tekmarcontrols.com).

Sample Mechanical diagram



Sample Electrical diagram

### Legend

S1 = Slab Sensor

