

# tekmar® Submittal

## tekmarNet® 2 Thermostat 527



Zoning

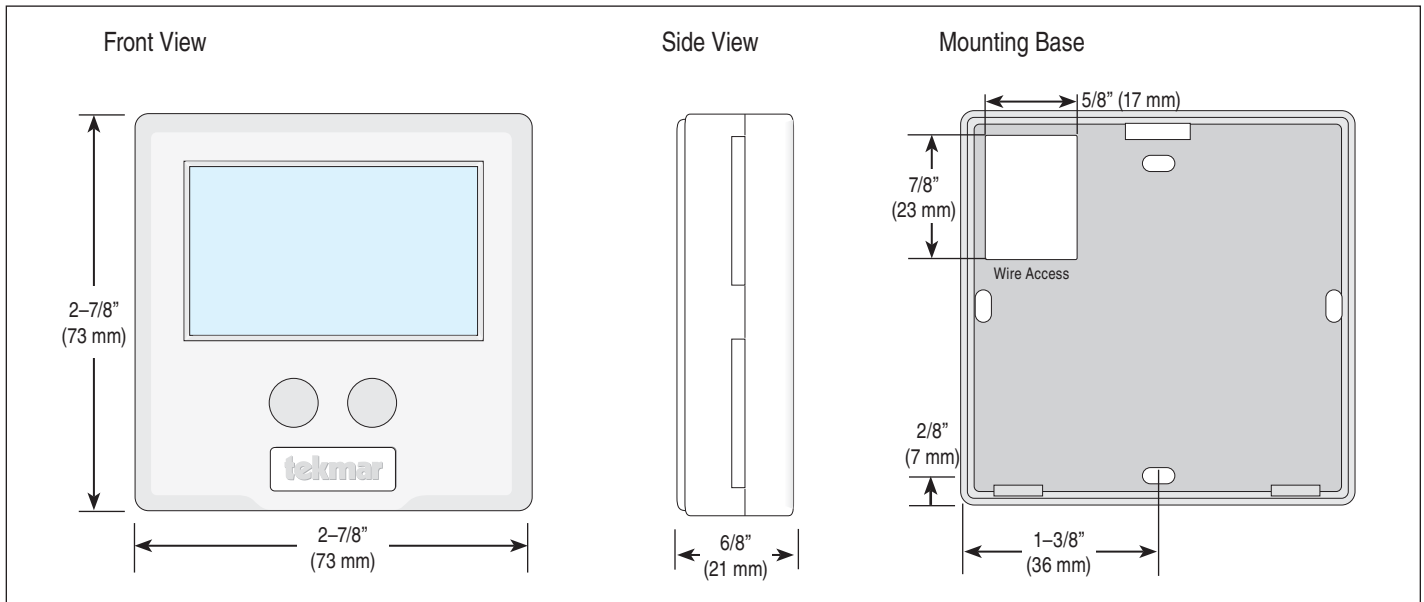
**C527**

12/11

Replaces: 01/11

Job \_\_\_\_\_ Designer \_\_\_\_\_ Contact \_\_\_\_\_

The tekmarNet® 2 Thermostat 527 is designed to operate mechanical equipment to deliver heat to a single zone within a hydronic heating system. It can be used with any terminal unit type, including radiant floor, baseboard, and fan coils. It is capable of controlling a zone valve or zone pump through a tekmarNet® 2 House Control, Wiring Center, or Zone Manager.



### Specifications

| tekmarNet® 2 Thermostat 527 One Stage Heat |   |
|--|---|
| Literature                                 | D527, Q527, U527  |
| Control                                    | Microprocessor control. This is not a safety (limit) control  |
| Packaged weight                            | 0.8 lb. (380 g)   |
| Dimensions                                 | 2-7/8" H x 2-7/8" W x 13/16" D (73 x 73 x 21 mm)  |
| Enclosure                                  | White PVC plastic, NEMA Type 1  |
| Approvals                                  | CSA C US, ICES & FCC Part 15  |
| Ambient conditions                         | Indoor use only, 32 to 122°F (0 to 50°C), RH ≤80% to 88°F (31°C), down to 50% above 104°F (40°C), Altitude <6560 ft. (2000 m), Installation Category II, Pollution Degree 2 |
| Power supply                               | Provided by tekmarNet®2 Control, 1.3 VA   |
| Warranty                                   | Limited 3 Year (See D527 for full warranty)   |

### Energy Saving Features

- Zone Synchronization
- Zone Post Purge
- Intelligent Setback (With tekmar 033 timer)
- One touch overrides (with optional User Switch)
- Auto Heating Cycle

### Additional Features

- tN2 Communication compatible
- Room temperature limiting
- Requires 2 wires
- Pulse Width Modulation
- CSA C US Approved for use in USA and Canada
- Outdoor Temperature Display
- Air Group Member
- Backlight
- Freeze Protection
- Equipment Exercising
- Supports Radiant Floor Cooling

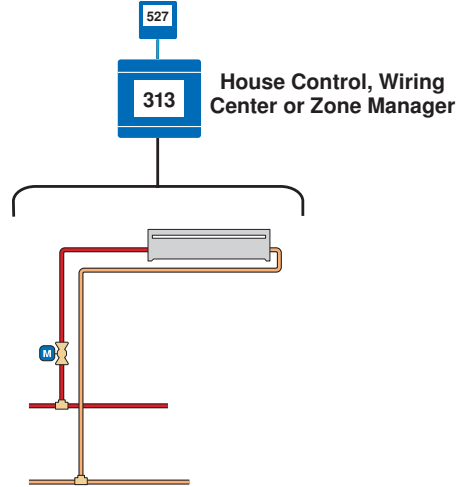
### SPECIAL REQUIREMENTS

This thermostat must be used with a tekmarNet® 2 House Control, Wiring Center, or Zone Manager for power and communication.

## Sample Application Drawing

Below is a sample application drawing for this product. This application may include other tekmar products that are required for installation. More sample applications can be found at [www.tekmarcontrols.com](http://www.tekmarcontrols.com).

Sample Mechanical diagram



Sample Electrical diagram

