

# tekmar® Submittal

## tekmarNet® 2 Thermostat 529



Zoning

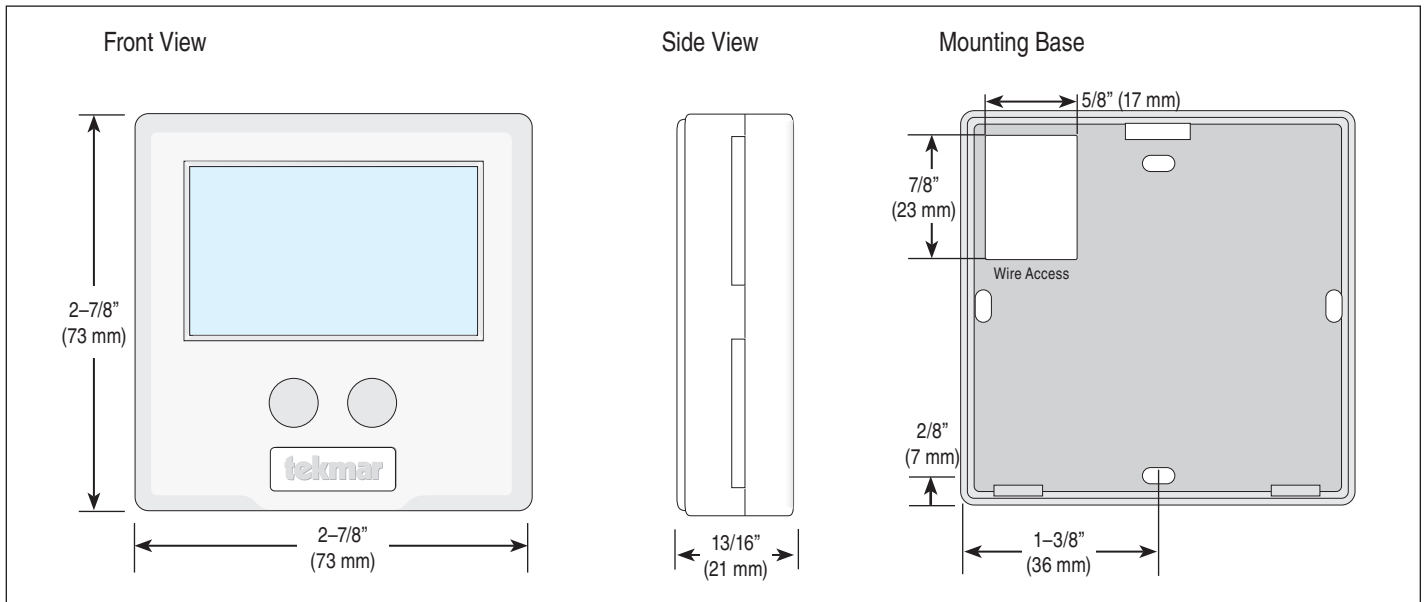
**C 529**

01/11

Replaces: New

Job \_\_\_\_\_ Designer \_\_\_\_\_ Contact \_\_\_\_\_

The tekmarNet® 2 Thermostat 529 is designed to operate mechanical equipment to deliver 2 stages of heat to a single zone within a hydronic heating system. It can be used with any terminal unit type, including radiant floor, baseboard, and fan coils. It is capable of controlling up to 2 stages of heat using zone valves or zone pumps through a tekmarNet® 2 Wiring Center or Zone Manager in order to maintain air and an auxiliary temperature. That temperature is typically a floor temperature, but could also be a remote air sensor.



### Specifications

<b>tekmarNet® 2 Thermostat 529 Two Stage Heat</b>	
Literature	D529, Q529, U529
Control	Microprocessor control. This is not a safety (limit) control
Packaged weight	0.8 lb. (380 g)
Dimensions	2-7/8" H x 2-7/8" W x 13/16" D (73 x 73 x 21 mm)
Enclosure	White PVC plastic, NEMA type 1
Approvals	CSA C US, meets Class B: ICES & FCC Part 15
Ambient conditions	Indoor use only, 32 to 122°F (0 to 50°C), RH ≤80% to 88°F (31°C), down to 50% above 104°F (40°C), Altitude <6560 ft. (2000 m), Installation Category II, Pollution Degree 2
Power supply	2 VA Provided by tekmarNet® 2 Control, Wiring Center, or Zone Manager
Rh - W2 Relay	24 V (ac) 2 A
Sensors	NTC thermistor, 10 kΩ @ 77°F (25°C ±0.2°C) β=3892
-Included	None
-Optional	tekmar type # 070, 071, 072, 073, 076, 077, 078, 079, 082
Warranty	Limited 3 Year (See D529 for full warranty)

### Energy Saving Features

- Zone Synchronization
- Zone Post Purge
- Intelligent Setback (with tekmar 033 timer)
- One touch overrides (with optional User Switch)
- Auto Heating Cycle

### Additional Features

- tekmarNet® 2 Communication compatible
- Requires 2 wires
- Two stage heat
- Pulse Width Modulation
- CSA C US Approved for use in USA and Canada
- Outdoor Temperature display
- Cool Group member
- Backlight
- Freeze Protection
- Equipment Exercising
- Floor Warming (with 079 Slab Sensor)
- 1 auxiliary sensor input
- Room Temperature Limiting

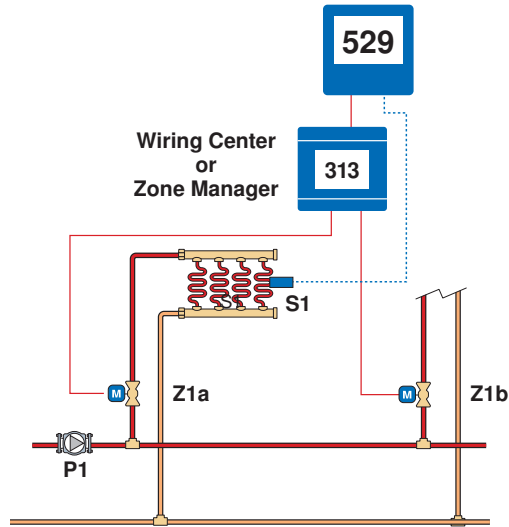
### SPECIAL REQUIREMENTS

This thermostat must be used with a tekmarNet® 2 Wiring Center or Zone Manager for power and communication.

## Sample Application Drawing

Below is a sample application drawing for this product. This application may include other tekmar products that are required for installation. More sample applications can be found at [www.tekmarcontrols.com](http://www.tekmarcontrols.com).

Sample Mechanical diagram



Sample Electrical diagram

### Legend

P1 = System Pump  
 S1 = Slab Sensor  
 Z1a = Stage 1 Heat  
 Z1b = Stage 2 Heat

