

tekmar® Quick Setup Guide

tekmarNet®4 Thermostat 538



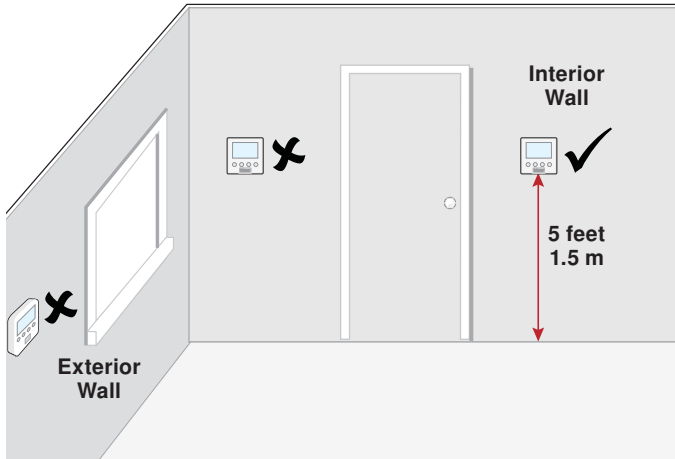
Zoning

Q 538

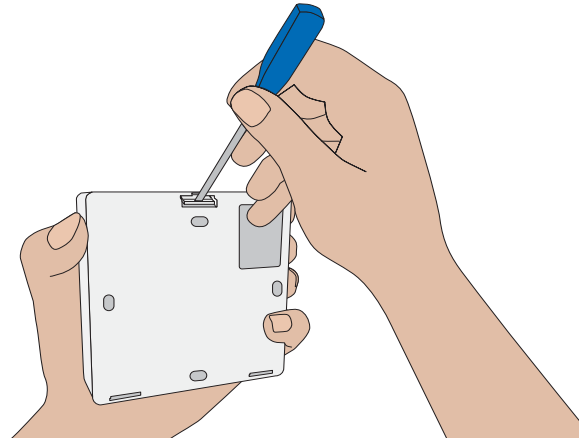
12/11

Replaces: 08/10

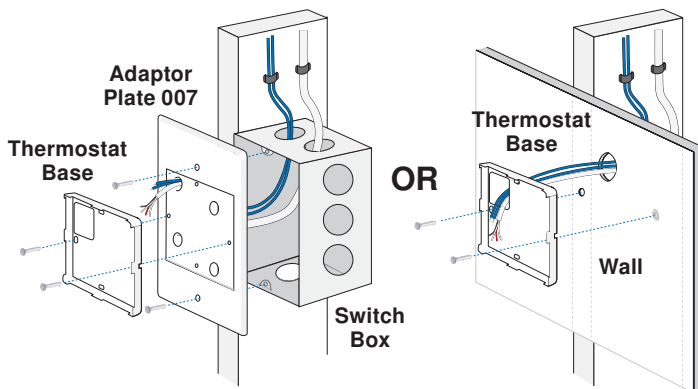
1. Location



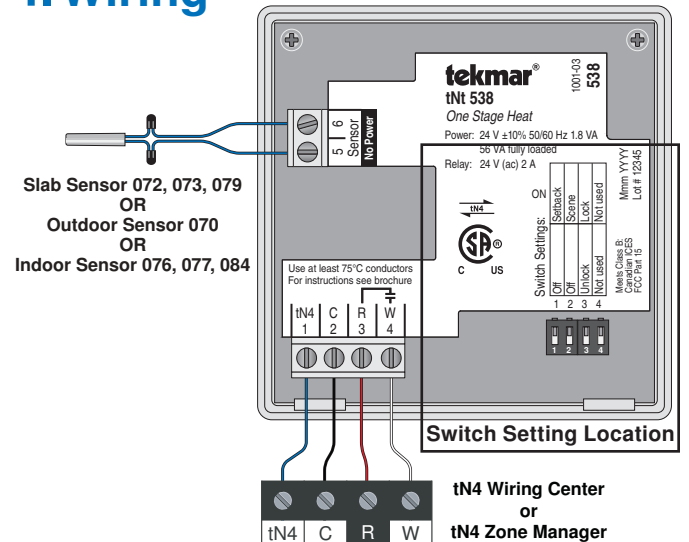
2. Remove Mounting Base



3. Install Mounting Base



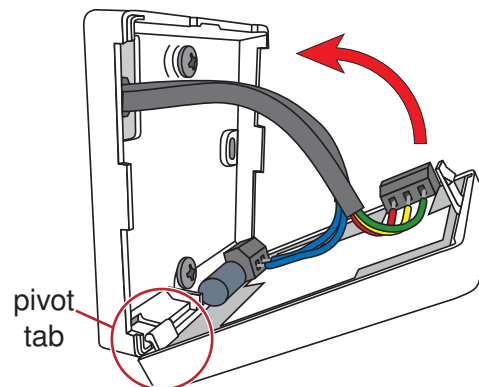
4. Wiring



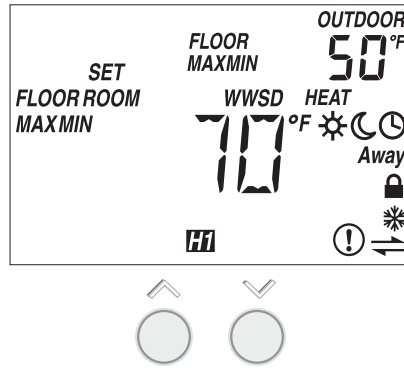
5. Switch Settings

Switch	Position	Action
1	ON	SETBACK Allow thermostat to respond to available schedule. Requires Timer 033.
	OFF	OFF No setback schedule response.
2	ON	SCENE Allow thermostat to respond to scenes. Requires User Switch 479.
	OFF	OFF No scene response.
3	ON	LOCK Locked to 'User' access level. Set to Lock when installation completed.
	OFF	UNLOCK Unlock to access all settings. Set to Unlock during installation.
4	ON	Not used
	OFF	Not used

6. Close Thermostat



7. User Interface



8. Critical Settings

The following settings are essential to the successful operation of the system.

Important Note: Set switch setting #3 and tekmarNet® system control to Unlock to change Access level to Installer. Return to Lock setting once installation has been completed.

Press

 +

 Together

- Press and hold down both the and buttons for 2 seconds to change from one step to the next.
- Release both buttons once the step has been reached.
- Press the or the button to change the setting, if available.
- Press and hold down both the and buttons for 2 seconds to go to the next step, OR
- After 10 seconds of no button activity, the display goes back to normal operation.

Display	Range	Access	Description	Set to
	°F or °C Default = °F	Installer User	TEMPERATURE UNITS Press the or the button to change from °F to °C and vice versa.	
	OFF or On Default = On	Installer	HEAT SUPPLY PUMP During heating, select whether or not the system supply pump should turn on or be off to allow a zone group pump per manifold. Available when: • A reset control is present on the tekmarNet® system.	
	OFF or On Default = OFF	Installer	HEAT SUPPLY PUMP DELAY During heating, select whether or not the system supply pump should be delayed by 3 minutes before coming on (for thermal motor or wax actuator). Available when: • A reset control is present on the tekmarNet® system.	
	On or Off Default = On	Installer	ROOM SENSOR Select whether the built-in air temperature sensor is on or off. Available when: A floor sensor or room sensor is installed on the auxiliary sensor input.	
	Off, Room, Outdoor, Floor, Floor dSP	Installer	AUXILIARY SENSOR Select the type of auxiliary sensor. Floor dSP = Show floor sensor reading in upper number field. Available when: Auxiliary sensor automatically detected.	

For a full list of settings and operational details, please refer to the thermostat **Installation and Operation Manual (D538)** included with compatible tekmarNet® controls or download the brochure from www.tekmarcontrols.com