

tekmar® Quick Setup Guide

tekmarNet®4 Thermostat 540



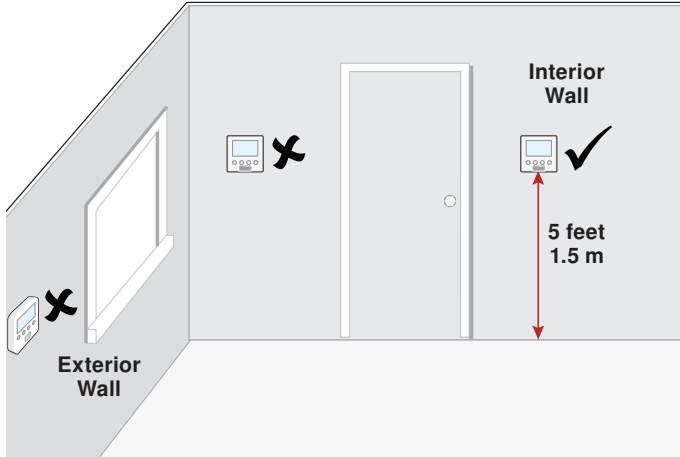
Zoning

Q540

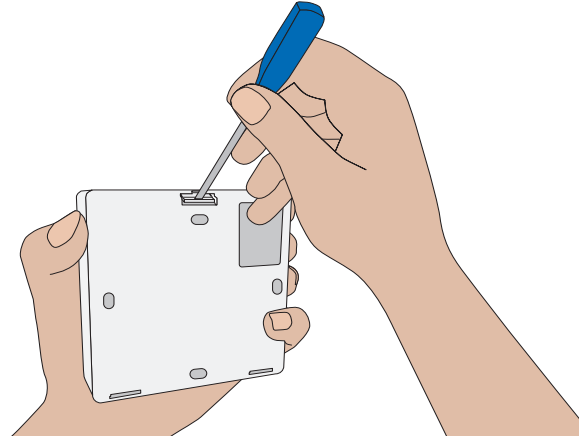
08/10

Replaces: New

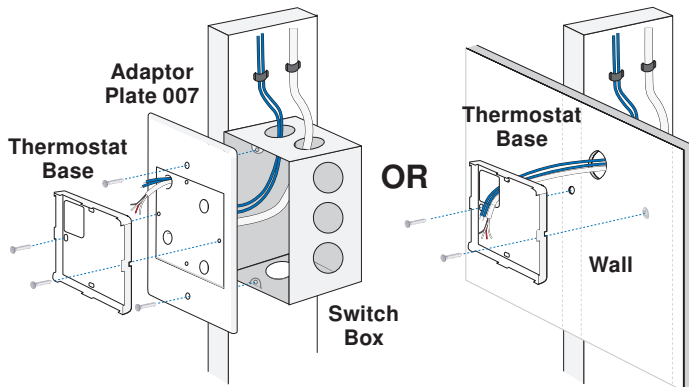
1. Location



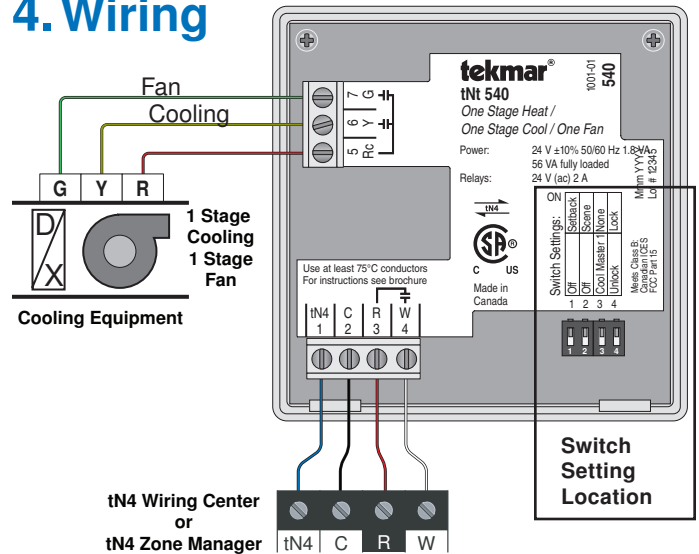
2. Remove Mounting Base



3. Install Mounting Base



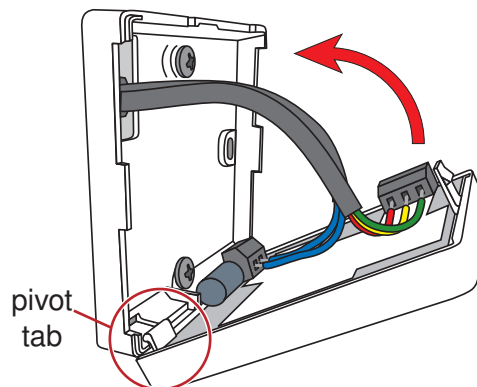
4. Wiring



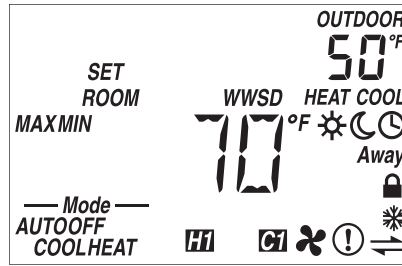
5. Switch Settings

| Switch | Position | Action |
|--------|----------|---|
| 1 | ON | SETBACK Allow thermostat to respond to available schedule. Requires Timer 033. |
| | OFF | OFF No setback schedule response. |
| 2 | ON | SCENE Allow thermostat to respond to scenes. Requires User Switch 479. |
| | OFF | OFF No scene response. |
| 3 | ON | NONE The thermostat is not part of a cooling group. |
| | OFF | COOL MASTER 1 The thermostat is a master of cooling group number 1. |
| 4 | ON | LOCK Locked to 'User' access level. Set to Lock when installation completed. |
| | OFF | UNLOCK Unlock to access all settings. Set to Unlock during installation. |

6. Close Thermostat



7. User Interface



8. Critical Settings

The following settings are essential to the successful operation of the system.

Important Note: Set switch setting #4 and tekmarNet® system control to Unlock to change Access level to Installer. Return to Lock setting once installation has been completed.

Press

^
○

+

v
○

Together

- Press and hold down both the ^ and v buttons for 2 seconds to change from one step to the next.
- Release both buttons once the step has been reached.
- Press the ^ or the v button to change the setting, if available.
- Press and hold down both the ^ and v buttons for 2 seconds to go to the next step, OR
- After 10 seconds of no button activity, the display goes back to normal operation.

| Display | Range | Access | Description | Set to |
|---------|---|-------------------|---|--------|
| | °F or °C Default = °F | Installer User | TEMPERATURE UNITS Press the ^ or the v button to change from °F to °C and vice versa. | |
| | 0, 1, 2, 3 Default = 1 | Installer | FAN MODE Select how the fan should operate together with heating and cooling. 0 = Manual operation only 1 = Operate fan with cooling only 2 = Operate fan with heating and cooling 3 = Operate fan with heating only | |
| | Hyd (Hydronic) or Oth (Other) Default = Hydronic | Installer | HEATING TERMINAL TYPE Select if the heating for this zone is hydronic or non-hydronic (other). Available when: • A reset control is present on the tekmarNet® system. | |
| | OFF, dLy (delay), On Default = On | Installer | HEATING SUPPLY PUMP Select how the system supply pump should operate: On = system pump on during a call for heat. Delay = system pump delayed 3 minutes for thermal motor (wax actuator) zone valves to open. Off = system pump not turned on during a call for heat. Use when a manifold uses a Zone Group Pump. Available when: • A reset control is present on the tekmarNet® system AND Heating terminal type is set to Hydronic. | |

For a full list of settings and operational details, please refer to the thermostat **Installation and Operation Manual (D540)** included with compatible tekmarNet® controls or download the brochure from www.tekmarcontrols.com

tekmar Control Systems Ltd., Canada, tekmar Control Systems, Inc., U.S.A. **Head Office: 5100 Silver Star Road, Vernon, B.C. Canada V1B 3K4, 250-545-7749, Fax. 250-545-0650 Web Site: www.tekmarcontrols.com**

Product design, software and literature are Copyright © 2010 by: tekmar Control Systems Ltd. and tekmar Control Systems, Inc.

2 of 2

All specifications are subject to change without notice. Printed in Canada. Q540 - 08/10.